

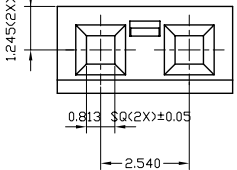
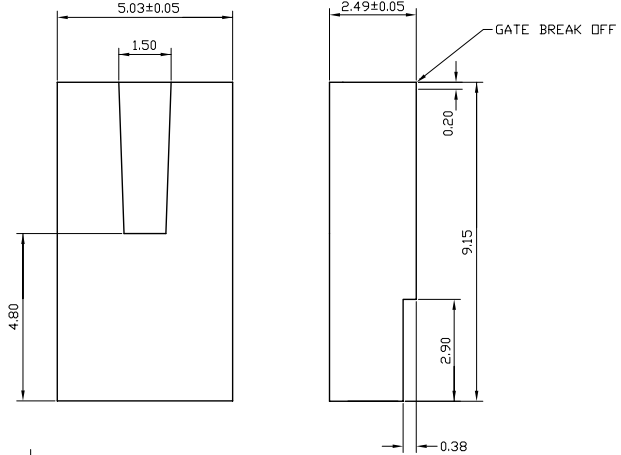
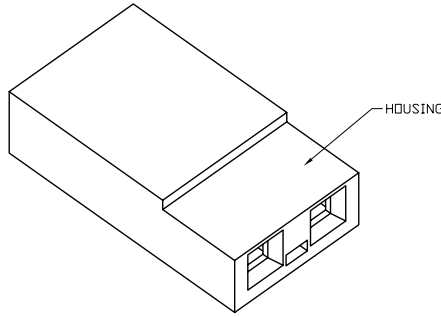
Tous droits strictement réservés. Reproduction ou communication à des tiers interdite sous quelque forme que ce soit sans autorisation écrite du propriétaire. Propriété de c FCI. Droits de reproduction FCI.



All rights strictly reserved. Reproduction or issue to third parties in any form whatever is not permitted without written authority from the proprietor. Property of FCI. Copyright FCI.

PART NO ③	PLATING
71363-102	0.38um/15u" AU CONTACT. AU FLASH ALL OVER 1.27um/50u" NI
71363-202	0.76um/30u" AU CONTACT. AU FLASH ALL OVER 1.27um/50u" NI
71363-302	2.54um/100u" TIN/LEAD PLATING

PART NO ③	PLATING
71363-102LF	0.38um/15u" AU CONTACT. AU FLASH ALL OVER 1.27um/50u" NI
71363-202LF	0.76um/30u" AU CONTACT. AU FLASH ALL OVER 1.27um/50u" NI



- MATERIAL:
- HOUSING - 30% GLASS FILLED POLYESTER, COLOR: BLACK
FLAME RETARDANT PER UL 94-V0
 - TERMINAL: PHOSPHOR BRONZE
- PLATING: REFER TO CHART
- ③ PRODUCT DESCRIPTION CODE :
- XXXX-XXXLF
- LEAD FREE ④ ⑥
 - EXTENSION NUMBER
 - CONTACT AREA PLATING
 - BASE NUMBER
- ④ LEAD FREE PART ONLY AVAILABLE TO P/N: 71363-102 AND 71363-202.
- ⑤ THE HOUSING WILL WITHSTAND EXPOSURE TO 200° C PEAK TEMPERATURE FOR 10 SECONDS IN A CONVECTION, INFRA-RED OR VAPOR PHASE REFLOW OVEN.
- ⑥ THIS PRODUCT MEETS EUROPEAN UNION DIRECTIVES AND OTHER COUNTRY REGULATIONS AS DESCRIBED IN GS-22-008.

CONFIDENTIAL

mat'l. code				tolerances unless otherwise specified		CUSTOMER COPY		FCI www.fciconnect.com	
ltr	ecn no	dr	date	linear	.X ±.35	projection	title	product family	code
E	S0160	NHL	02/11/87		.XX ±.25	MM	HIGH BODY JUMPER	JUMPER	-
F	S04-0210	KBM	10/08/04		.XXX ±.10	10:1		size	dwg no
G	S05-0082	KBM	3/17/05	angles	0° ±2°				
		dr	NH LWEE		01/15/87				
		enrg	KB MAH		10/08/04				
		chr	KB MAH		3/17/05				
		appd	JOEY NG		3/17/05				
sheet index	revision sheet								