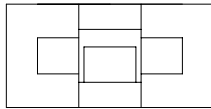


REV. J

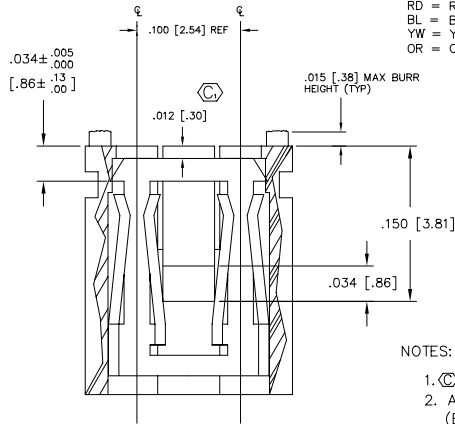
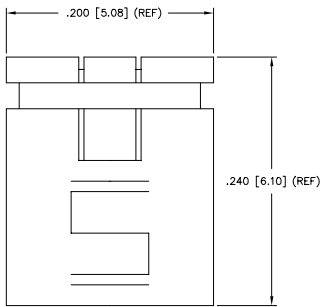
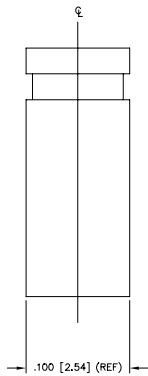
DIMENSIONS ARE IN INCHES		UNLESS OTHERWISE NOTED		TOLERANCES ARE:		TITLE:	DWG NO:
ONE PLACE DECIMALS: ± .1 [2.5]	THREE PLACE DECIMALS: ± .005 [.127]	ANGLES	± 2°		.100 [2.54] C.L.	SNT-100-XX-X-X	SHEET 1 OF 1
TWO PLACE DECIMALS: ± .01 [.25]	FOUR PLACE DECIMALS: ± .0020 [.0508]			SHUNT ASSEMBLY			

BODY: USE SNT-100-XX  
CONTACT: USE C-37-X



SNT-100-XX-X-X

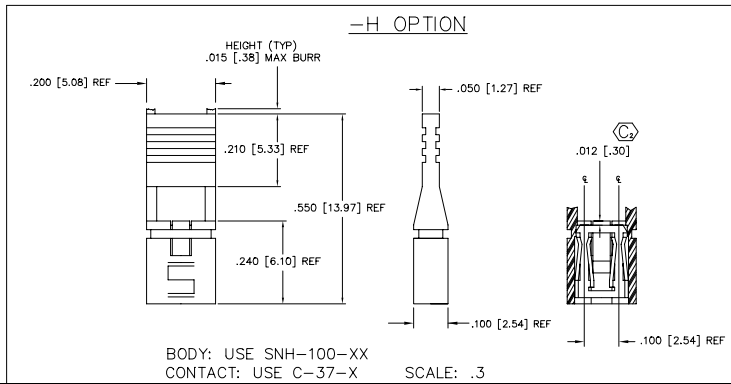
- OPTION
- H: HANDLE (SEE -H OPTION)
- PLATING SPECIFICATION
- T = TIN: SPECIFY -T IN CONTACT SUFFIX -X
- G = GOLD: SPECIFY -G IN CONTACT SUFFIX -X
- H = HEAVY GOLD: SPECIFY -H IN CONTACT SUFFIX -X
- COLOR SPECIFICATION
- SPECIFY COLOR IN BODY SUFFIX -XX
- BK = BLACK
- RD = RED
- BL = BLUE
- YW = YELLOW
- OR = ORANGE



- NOTES:
- Ⓢ REPRESENTS A CRITICAL DIMENSION.
  - ALTERNATE VENDOR CAVITY ID RUNNER/CAVITY (EX: AC IS RUNNER 1 CAVITY 3).

Do not scale from this print

**PROPRIETARY NOTE**  
THIS DOCUMENT CONTAINS INFORMATION CONFIDENTIAL AND PROPRIETARY TO SAMTEC INC. AND SHALL NOT BE REPRODUCED OR TRANSMITTED IN ANY FORM OR BY ANY MEANS, ELECTRONIC OR MECHANICAL, INCLUDING PHOTOCOPYING, RECORDING, OR BY ANY INFORMATION STORAGE AND RETRIEVAL SYSTEM, WITHOUT THE WRITTEN CONSENT OF SAMTEC INC.



MISC/WKTG  
SNT-MKT

**samtec**

520 PARK EAST BLVD. NEW ALBANY, INDIANA 47150  
PHONE (812) 944-6733 P.O. BOX 1147  
CODE 55322

MADE BY: KOLB 1-31-90

SNT-100-XX-X-X  
SHEET 1 OF 1