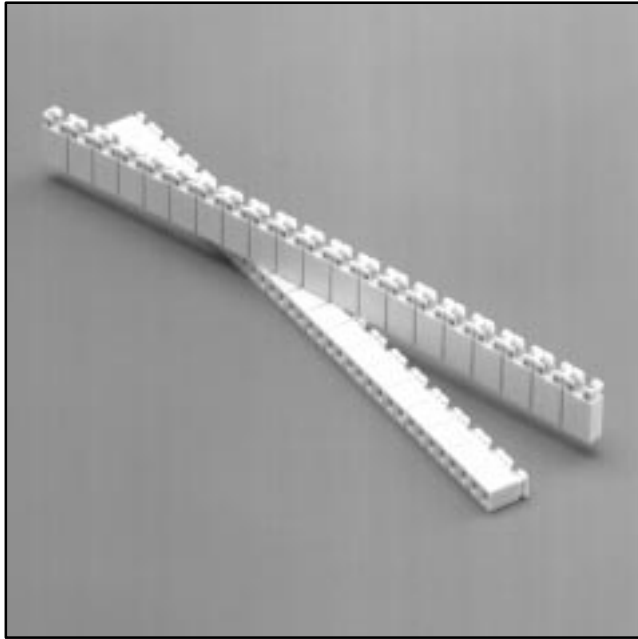


# .100" Shunt

929 Series



- Double wipe contact is reliable and failure free
- Loop hole on top of the contact provides easy removal for testing
- Color coded body for easy recognition of plating
- Available in strips of twenty for enhanced robotic handling capability
- Open top contact allows easy probing and testing

Date Modified: February 19, 1999

TS-0528-04  
Sheet 1 of 2

113

---

## Physical

### Insulation

Material: Glass Filled Polyester (PBT)  
Flammability: UL 94V-0  
Color: Red, Blue or Gray  
See Ordering Information

### Contact

Material: Copper Alloy  
Plating: See Ordering Information

Marking: 3M Logo

---

## Electrical

**Current Rating:** 2 A  
**Insulation Resistance:**  $> 5 \times 10^9 \Omega$  at 500 Vdc  
**Withstanding Voltage:** 1500 Vrms at Sea Level

---

## Environmental

**Temperature Rating:**  $-55^{\circ}\text{C}$  to  $+105^{\circ}\text{C}$

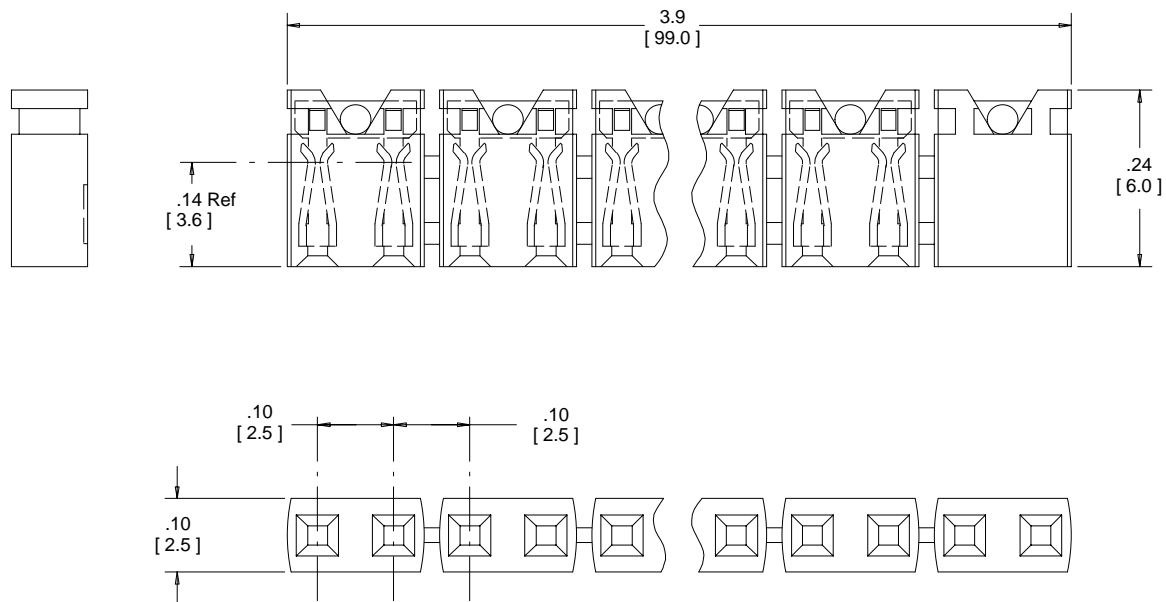
UL File No.: E68080

---

### 3M Interconnect Solutions Division

6801 River Place Blvd.  
Austin, TX 78726-9000

For technical, sales or ordering information call  
**800-225-5373**



**Notes:**

1. Comes in a breakable strip of 20 Shunts.
2. Mates with a .025" Square Pin.

**Inch**  
[mm]

Tolerance Unless Noted			
	.0	.00	.000
Inch	± .1	± .01	± .005

[ ] Dimensions for Reference only

### Ordering Information

**92995X-XX**

**Color / Plating**

- 1 - 00 RED / 75 μ" [ 1.90 μm ] tin
- 2 - 10 BLUE / 75 μ" [ 1.90 μm ] Nickel underplate, 10 μ" [ 0.25 μm ] GOLD in the wipe area.
- 3 - 30 GRAY / 75 μ" [ 1.90 μm ] Nickel underplate, 30 μ" [ 0.76 μm ] GOLD in the wipe area.

TS-0528-04  
Sheet 2 of 2

### 3M Interconnect Solutions Division

6801 River Place Blvd.  
Austin, TX 78726-9000

For technical, sales or ordering information call  
**800-225-5373**