

DO NOT SCALE
DIMENSIONS IN

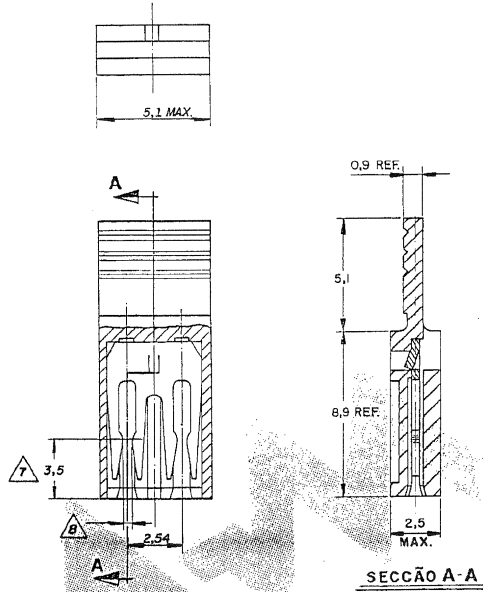
METRIC

3rd ANGLE PROJECTION

NOTAS

NOTES

- 1 MATERIAL: HOUSING: THERMOPLASTICO S/ FIBRA DE VIDRO V-0 COR: PRATO CONTACTO: BRONZE FOSFORADO
- 2 MATERIAL: HOUSING: THERMOPLASTICO WITHOUT GLASS FIBER V-0 COLOR: BLACK CONTACT: PHOSPHOROUS BRONZE
- 3 MATERIAL: HOUSING: THERMOPLASTICO C/ FIBRA DE VIDRO HE COR: NATURAL CONTACTO: BRONZE FOSFORADO
- 4 MATERIAL: HOUSING: THERMOPLASTIC WITH GLASS FIBER HE COLOR: NATURAL CONTACT: PHOSPHOROUS BRONZE
- 5 0,38 µm. MIN. OURO NA AREA DE CONTATO, SOBRE BANHO 0,76 µm NIQUEL
0,38 µm. MIN. GOLD ON CONTACT AREA, 0,76 µm NIQUEL UNDERPLATING
- 6 0,76 µm. MIN. OURO NA AREA DE CONTATO, SOBRE BANHO 0,76 µm NIQUEL
0,76 µm. MIN. GOLD ON CONTACT AREA, 0,76 µm NIQUEL UNDERPLATING
- 7 1,27 µm. MIN. OURO NA AREA DE CONTATO, SOBRE BANHO 0,76 µm NIQUEL
1,27 µm. MIN. GOLD ON CONTACT AREA, 0,76 µm NIQUEL UNDERPLATING
- 8 ESTANHO SOBRE NIQUEL
TIN UNDER NIQUEL
- 9 PONTO DE CONTATO E/ MEDIÇÃO DA CAMADA DE OURO
CONTACT POINT FOR GOLD PLATING MEASUREMENT
- 10 ACERTA PINO QUADRADO 0,64 x 0,64 OU REDONDO 7 0,64
ALLOW SQUARE PIN 0,64 x 0,64 OR ROUND 7 0,64
- 11 MATERIAL: HOUSING: THERMOPLASTICO C/ FIBRA DE VIDRO COR VERMELHO, V-2 CONTACTO: BRONZE FOSFORADO
- 12 MATERIAL: HOUSING: THERMOPLASTIC WITH GLASS FIBER COLOR RED; V-2 CONTACT: PHOSPHOROUS BRONZE



1	3	10	L	2 - 880584	- 1
11 OBSOLETE	6	9			- 9
11 OBSOLETE	6	4			- 8
	5				- 7
11 OBSOLETE	4				- 6
	5	2			- 5
	6				- 4
11 OBSOLETE	5				- 3
	4				- 2
	3	1	K7	880584	- 1

OTHER TREATMENT	FINISH	MATERIAL	PART REV.	PART NUMBER																																													
CUSTOMER DWG for REFERENCE ONLY																																																	
THIS DRAWING IS UNPUBLISHED. RELEASED FOR PUBLICATION																																																	
© COPYRIGHT IS BY AMP DO BRASIL, LDA S.P. ALL INTERNATIONAL RIGHTS RESERVED AMP PRODUCTS MAY BE COVERED BY U.S. AND FOREIGN PATENTS AND/OR PATENTS PENDING.																																																	
TOLERANCES UNLESS OTHERWISE STATED		INS. DIA. RANGE	WIRE RANGE	SCALE																																													
DEC ± 0,3		//	//	//																																													
ANGLES ± 1°																																																	
<table border="0"> <tr> <td>H</td> <td>ELIM. FURROS NO HOUSING</td> <td>01.06.88</td> <td></td> <td></td> </tr> <tr> <td>G</td> <td>Acrescimo nois de</td> <td>09.12.88</td> <td></td> <td></td> </tr> <tr> <td>F</td> <td>Acrescimo folha de</td> <td>06.03.89</td> <td></td> <td></td> </tr> <tr> <td>E</td> <td>REV DIM. 3,5 para 2,0</td> <td>21.02.86</td> <td></td> <td></td> </tr> <tr> <td>D</td> <td>REV do PROD. DIPC 80174</td> <td>16.10.84</td> <td></td> <td></td> </tr> <tr> <td>C</td> <td>REV da ORÇAMENTO AMP</td> <td>19.08.84</td> <td></td> <td></td> </tr> <tr> <td>B</td> <td>REV CONFIGURACAO</td> <td>04.07.85</td> <td></td> <td></td> </tr> <tr> <td>A</td> <td>ERR P.8428132</td> <td>19.11.84</td> <td></td> <td></td> </tr> <tr> <td>O</td> <td>REV. CONFIGURACAO</td> <td>19.08.84</td> <td></td> <td></td> </tr> </table>					H	ELIM. FURROS NO HOUSING	01.06.88			G	Acrescimo nois de	09.12.88			F	Acrescimo folha de	06.03.89			E	REV DIM. 3,5 para 2,0	21.02.86			D	REV do PROD. DIPC 80174	16.10.84			C	REV da ORÇAMENTO AMP	19.08.84			B	REV CONFIGURACAO	04.07.85			A	ERR P.8428132	19.11.84			O	REV. CONFIGURACAO	19.08.84		
H	ELIM. FURROS NO HOUSING	01.06.88																																															
G	Acrescimo nois de	09.12.88																																															
F	Acrescimo folha de	06.03.89																																															
E	REV DIM. 3,5 para 2,0	21.02.86																																															
D	REV do PROD. DIPC 80174	16.10.84																																															
C	REV da ORÇAMENTO AMP	19.08.84																																															
B	REV CONFIGURACAO	04.07.85																																															
A	ERR P.8428132	19.11.84																																															
O	REV. CONFIGURACAO	19.08.84																																															
<table border="0"> <tr> <td>L2</td> <td>REV BY ECO 10-007087</td> <td>WLS</td> <td>28JUL80</td> <td></td> </tr> <tr> <td>L1</td> <td>REVISED PER ECO-10-000445</td> <td>ABC</td> <td>03JAN80</td> <td></td> </tr> <tr> <td>L</td> <td>REVISED BY ECN</td> <td>104198</td> <td>14/01/84</td> <td></td> </tr> <tr> <td>K</td> <td>REVISED BY ECN</td> <td>3628</td> <td>10/01/84</td> <td></td> </tr> <tr> <td>K</td> <td>REVISED BY ECN</td> <td>12460 - 9</td> <td>25/01/84</td> <td></td> </tr> <tr> <td>J</td> <td>REVISED BY ECN</td> <td>1720</td> <td>22/01/84</td> <td></td> </tr> </table>					L2	REV BY ECO 10-007087	WLS	28JUL80		L1	REVISED PER ECO-10-000445	ABC	03JAN80		L	REVISED BY ECN	104198	14/01/84		K	REVISED BY ECN	3628	10/01/84		K	REVISED BY ECN	12460 - 9	25/01/84		J	REVISED BY ECN	1720	22/01/84																
L2	REV BY ECO 10-007087	WLS	28JUL80																																														
L1	REVISED PER ECO-10-000445	ABC	03JAN80																																														
L	REVISED BY ECN	104198	14/01/84																																														
K	REVISED BY ECN	3628	10/01/84																																														
K	REVISED BY ECN	12460 - 9	25/01/84																																														
J	REVISED BY ECN	1720	22/01/84																																														
<table border="0"> <tr> <td>158</td> <td>REVISION</td> <td>RECORD</td> <td>ECN</td> <td>CHK</td> <td>DATE</td> <td>158</td> <td>REVISION</td> <td>RECORD</td> <td>DIR</td> <td>CHK</td> <td>DATE</td> </tr> </table>					158	REVISION	RECORD	ECN	CHK	DATE	158	REVISION	RECORD	DIR	CHK	DATE																																	
158	REVISION	RECORD	ECN	CHK	DATE	158	REVISION	RECORD	DIR	CHK	DATE																																						
<table border="0"> <tr> <td colspan="2">TYPY Electronics</td> <td colspan="3">TYCO ELECTRONICS DO BRASIL LTDA.</td> </tr> <tr> <td colspan="2"></td> <td colspan="3">São Paulo - Brasil</td> </tr> </table>					TYPY Electronics		TYCO ELECTRONICS DO BRASIL LTDA.					São Paulo - Brasil																																					
TYPY Electronics		TYCO ELECTRONICS DO BRASIL LTDA.																																															
		São Paulo - Brasil																																															
DESCRIPTION																																																	
AMP SHUNT CONNECTOR ASSY																																																	
A3		DWG NO	880584	SHEET																																													
		C		1 OF 2																																													

C 880584

C

B

A

880584

C

C

B

A

DO NOT SCALE
 DIMENSIONS IN mm

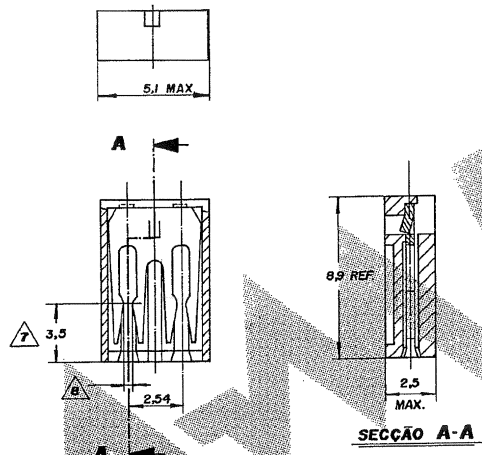
METRIC

3rd ANGLE PROJECTION

10 MATERIAL: HOUSING: THERMOPLASTICO C/ FIBRA DE VIDRO V-2 COR: VERDE
 CONTATO: BROZE FOSFORADA

MATERIAL: HOUSING: THERMOPLASTIC WITH GLASS FIBER V-2 COLOR: GREEN
 CONTACT: PHOSPHOROUS BRONZE

11 OBSOLETE PARTS: OBSOLETE CIS STREAMLINING PER D.RENAUD/D.SINISI



OBSOLETE	6				1	8
	5				1	7
OBSOLETE	4				1	6
	3				1	-5
	2				1	-4
	1				1	-3
	0				1	-2
					K1	1 - 880584 - 1

OTHER TREATMENT	FINISH	MATERIAL	PART REV.	PART NUMBER
CUSTOMER DWG for REFERENCE ONLY				
THIS DRAWING IS UNPUBLISHED. RELEASED FOR PUBLICATION				
© COPYRIGHT 1987 BY AMP DO BRASIL LTDA S.P. ALL INTERNATIONAL RIGHTS RESERVED. AMP PRODUCTS MAY BE COVERED BY US AND FOREIGN PATENTS AND/OR PATENTS PENDING.				
TOLERANCES UNLESS OTHERWISE STATED		INS. DIA. RANGE	WIRE RANGE	SCALE
DEC. 2 98				
ANALES 2 P		Tyco Electronics TYCO ELECTRONICS DO BRASIL LTDA Sao Paulo - Brasil		
DR. <i>Espino</i> <i>19/01/87</i>		DESCRIPTION		
CHK. <i>N. Silva</i> <i>09.04.87</i>		AMP SHUNT CONNECTOR ASS'Y		
DE. <i>[Signature]</i>		A3 DWG NO C 880584		
REV	REVISION RECORD	DR	CHK	DATE
1				
APP. <i>[Signature]</i> 05/03/87				SHEET 2 of 2