

4

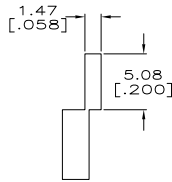
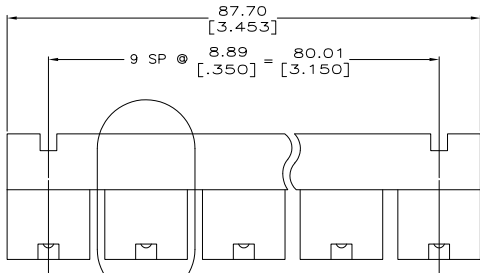
3

2

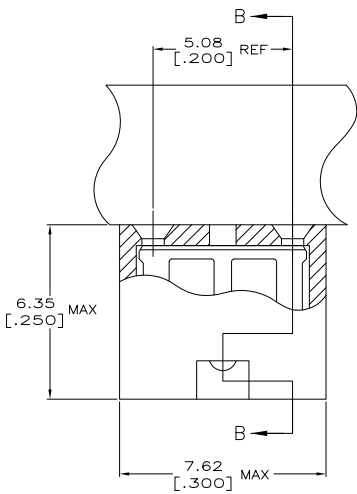
1

THIS DRAWING IS UNPUBLISHED. RELEASED FOR PUBLICATION. ALL RIGHTS RESERVED.

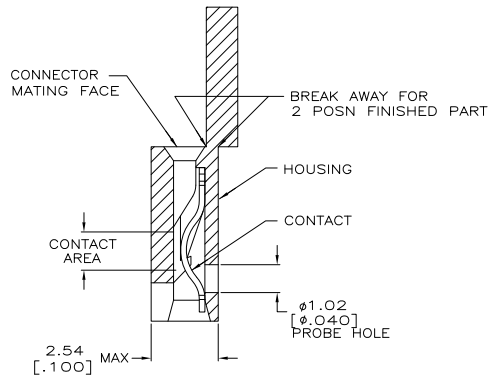
LOC	DIST	REVISIONS		
P	LR	DESCRIPTION	DATE	BY
AG	00			
F2		REVISED PER ECO-11-004820	11MAR11	RK HMR



SEE DETAIL A



DETAIL A SCALE 10:1



SECTION B-B SCALE 10:1

- △ MATERIAL:
HOUSING: GLASS-FILLED POLYESTER, COLOR-BLACK.
CONTACT: BERYLLIUM COPPER.
- △ CONTACT PLATED WITH 0.00254 [.000100] TIN-LEAD OVER ALL.
- △ CONTACT PLATED WITH 0.00038 [.000015] GOLD IN CONTACT AREA OVER 0.00127 [.000050] NICKEL OVER ALL.
- △ CONTACT PLATED WITH 0.00076 [.000030] GOLD IN CONTACT AREA OVER 0.00127 [.000050] NICKEL OVER ALL.
- △ PART NO. DENOTES INDIVIDUAL TWO POSITION SHUNT, WHICH IS PACKAGED ON BREAKAWAY COMBS OF TEN SHUNTS.
- 6. CONNECTOR MATES WITH WIRE WRAP POSTS, 0.64 [.025] SQUARE OR ROUND AND 0.56 [.022] X 0.66 [.026] POSTS. LENGTH 5.08 [.200] MINIMUM.
- △ CONTACT PLATED WITH 0.00254 [.000100] MATTE TIN OVER ALL.
- △ PART NO. DENOTES INDIVIDUAL TWO POSITION SHUNT, WHICH IS PACKAGED LOOSE PIECE.
- △ PRELIMINARY P/N - NOT RELEASED FOR PRODUCTION

OBSOLETE	7	8	531230-5	9
	△		531230-4	△
	△		531230-3	△
	△		531230-2	△
	△		531230-1	△
			FINISH	PART NUMBER

THIS DRAWING IS A CONTROLLED DOCUMENT. DWG: R. VALLEY 3-12-91

DIMENSIONS: mm (INCHES)	OTHER DIMENSIONS: SEE TABLE	DATE	3-12-91
0 PLG ±	1 PLG ±	2 PLG ±	3 PLG ±
4 PLG ±	ANGLES ±		
MATERIAL	FINISH	SEE TABLE	
PRODUCT SPEC	108-9057	APPLICATION SPEC	114-1059
WEIGHT		SIZE	A2
CAGE CODE	00779	DRAWING NO	C=531230
CUSTOMER DRAWING		SCALE	4:1
		SHEET	1 of 1
		REV	F2

TE Connectivity
LOW PROFILE SHUNT CONNECTOR
5.08 [.200] CL