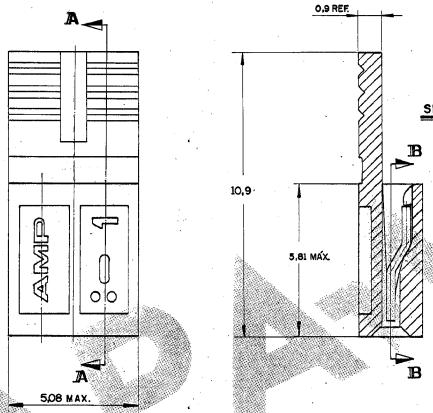


C881545

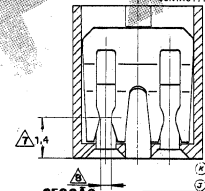
DO NOT SCALE
DIMENSIONS IN mm. METRIC 3rd ANGLE PROJECTION

ATENÇÃO
Este desenho esta sob o controle das especificações nos. 102-23 e 102-55. Toda e qualquer alteração, antes de ser processada, deverá ser comunicada aos clientes enviados, através dos procedimentos atuais.
Ver pasta "Notificação ao Cliente"



SECCÃO A-A

- MATERIAL: HOUSING: TERMOPLÁSTICO C/ FIBRA DE VIDRO V-0 COR: PRETO
CONTACT: BRONZE FOSFORADO
- MATERIAL: HOUSING: TERMOPLÁSTICO WITH GLASS FIBER V-0 COLOR:BLACK
CONTACT: PHOSPHOROUS BRONZE
- MATERIAL: HOUSING: TERMOPLÁSTICO C/ FIBRA DE VIDRO HB COR:NATURAL
CONTACT: BRONZE FOSFORADO
- MATERIAL: HOUSING: TERMOPLÁSTICO WITH GLASS FIBER HB COLOR:NATURAL
CONTACT: PHOSPHOROUS BRONZE
- 0,38 µm. MIN. OURO NA ÁREA DE CONTATO, SOBRE BANHO 0,76 µm NIQUEL
0,38 µm. MIN. GOLD ON CONTACT AREA, 0,76 µm NIQUEL UNDERPLATING
- 0,76 µm. MIN. OURO NA ÁREA DE CONTATO, SOBRE BANHO 0,76 µm NIQUEL
0,76 µm. MIN. GOLD ON CONTACT AREA, 0,76 µm NIQUEL UNDERPLATING
- 1,27 µm. MIN. OURO NA ÁREA DE CONTATO, SOBRE BANHO 0,76 µm NIQUEL
1,27 µm. MIN. GOLD ON CONTACT AREA, 0,76 µm NIQUEL UNDERPLATING
- ESTRADO: SOBRE NIQUEL
FIN OVER NICKEL
- PUNTO DE CONTATO: 1/4 MEDIDA DA CAMADA DE OURO
CONTACT POINT: 1/4 GOLD PLATING MEASUREMENT
- ACEITA 2.130 QUANDO 0,64 x 0,64 DO REDONDO Ø 0,64
ALLOW SQUARE PIN 2.130 x 0,64 ON ROUND Ø 0,64
- MATERIAL: HOUSING: TERMOPLÁSTICO C/ 15% DE FIBRA DE VIDRO, V2, COR VERMELHO (PADRÃO DE COR: CONTACT: BRONZE FOSFORADO
MATERIAL: HOUSING: TERMOPLÁSTICO WITH 15% GLASS FIBER, V2, COLOR RED (STAND COLOR: RAL 3000) CONTACT: PHOSPHOROUS BRONZE.



SECCÃO B-B

V2, COLOR GREEN (AMP A6484)

- 10 SIMILAR DO P/N 881545-2, PORÉM EM EMBALAGENS C/ 2.000
PEÇAS/SACO PLÁSTICO.
SIMILAR OF P/N 881545-2 BUT IN PACKAGES W/ 2.000
PARTS/ PLASTIC BAG.
- 11 MATERIAL HOUSING: TERMOPLÁSTICO COM 15% FIBRA DE
VIDRO, V2, COR AMARELO (RAL 1016)
CONTACT: BRONZE FOSFORADO
MATERIAL: HOUSING: TERMOPLÁSTICO 15% GLASS FIBER
V2, COLOR YELLOW (RAL 1016)
CONTACT: PHOSPHOROUS BRONZE.
- 12 MATERIAL HOUSING TERMOPLÁSTICO COM 15% FIBRA DE VIDRO,
V2, COR VERDE (AMP A6484) CONTACT: BRONZE FOSFORADO
MATERIAL HOUSING THERMOPLASTIC 15% GLASS FIBER, V2,
COLOR GREEN (AMP A6484) CONTACT: PHOSPHOROUS BRONZE.
- 13 OBSOLETE PARTS: OBSOLETE CIS STREAMLINING PER
D.RENAUD/D.SINISI

4-	-2
4-	-1
4-	-1
2-	-4
2-	-5
2-	-2
3-	881545-1
3-	-9
3-	-8
3-	-7
3-	-6
3-	-5
3-	-4
3-	-3
3-	-2
3-	-1
3-	881545-1

OTHER TREATMENT FINISH MATERIAL PART NUMBER

CUSTOMER DWG
for REFERENCE ONLY

THIS DRAWING IS UNPUBLISHED & RELEASED FOR APPLICATION
BY AMP DO BRASIL LTDA S.A. ALL INTERNATIONAL RIGHTS
RESERVED. AMP PRODUCTS ARE COVERED BY PATENT RIGHTS AND/OR OTHER PATENTS.
TOLERANCES UNLESS OTHERWISE STATED
INR. DIM. NAME WIRE GAUGE SCALE

REVISED BY: AEG 10/23/88
REVISED BY: AEG 10/23/88
REVISED BY: AEG 10/23/88
REVISED BY: AEG 10/23/88

AMP do BRASIL LTDA
São Paulo, Brasil

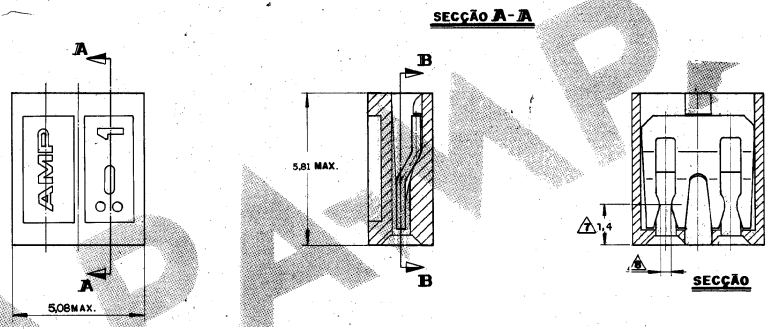
DESCRIPTION: AMP SHUNT
LOW PROFILE CONNECTOR ASSY

DWG NO: A2
C 881545
SHEET: 1 of 2

K1	REVISED PER ECO-1508441	KK	AEG	BJAMIN	05/01/88	05/01/88	11:09:58
M	REVISION BY: AEG 10/23/88	MS	AEG	BJAMIN	05/01/88	05/01/88	11:09:58
N	REVISION BY: AEG 10/23/88	NS	AEG	BJAMIN	05/01/88	05/01/88	11:09:58
O	REVISION BY: AEG 10/23/88	OS	AEG	BJAMIN	05/01/88	05/01/88	11:09:58
P	REVISION BY: AEG 10/23/88	PS	AEG	BJAMIN	05/01/88	05/01/88	11:09:58
Q	REVISION BY: AEG 10/23/88	QS	AEG	BJAMIN	05/01/88	05/01/88	11:09:58
R	REVISION BY: AEG 10/23/88	RS	AEG	BJAMIN	05/01/88	05/01/88	11:09:58
S	REVISION BY: AEG 10/23/88	SS	AEG	BJAMIN	05/01/88	05/01/88	11:09:58
T	REVISION BY: AEG 10/23/88	TS	AEG	BJAMIN	05/01/88	05/01/88	11:09:58
U	REVISION BY: AEG 10/23/88	US	AEG	BJAMIN	05/01/88	05/01/88	11:09:58
V	REVISION BY: AEG 10/23/88	VS	AEG	BJAMIN	05/01/88	05/01/88	11:09:58
W	REVISION BY: AEG 10/23/88	WS	AEG	BJAMIN	05/01/88	05/01/88	11:09:58
X	REVISION BY: AEG 10/23/88	XS	AEG	BJAMIN	05/01/88	05/01/88	11:09:58
Y	REVISION BY: AEG 10/23/88	YS	AEG	BJAMIN	05/01/88	05/01/88	11:09:58
Z	REVISION BY: AEG 10/23/88	ZS	AEG	BJAMIN	05/01/88	05/01/88	11:09:58

C 881545

DO NOT SCALE
DIMENSIONS IN mm. **METRIC** 3rd ANGLE PROJECTION



OBSOLETE △	△	0	0
	△	0	7
	△	2	6
	△	2	881545-5
OBSOLETE △	△	1	0
	△	1	7
	△	3	0
OBSOLETE △	△	1	5
	△	1	4
	△	1	3
	△	1	2
	△	1	881545-1

OTHER TREATMENT	FINISH	MATERIAL	PART NUMBER
CUSTOMER DWG for REFERENCE ONLY			
THIS DRAWING IS UNPUBLISHED. RELEASED FOR PUBLICATION BY AMP OF BRASIL LTD. ALL INTERNATIONAL RIGHTS RESERVED. AMP PRODUCTS ARE COVERED BY U.S. PATENTS AND PATENTS IN OTHER COUNTRIES.			
TOLERANCES UNLESS OTHERWISE STATED			
DEC. DIMS. ANGLES ± 1°			
DR. DATE: 14-03-88			
CHK. DATE: 08-08-88			
APP. DATE: 20/11/88			
AMP do BRASIL LTDA São Paulo, Brasil DESCRIPTION: AMP SHUNT LOW PROFILE CONNECTOR ASSY			
REV. NO. A2			SHEET 2 OF 2
REVISION RECORD	DR	CHK	DATE