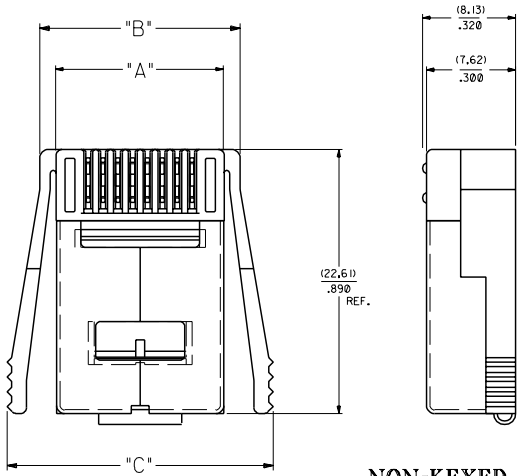
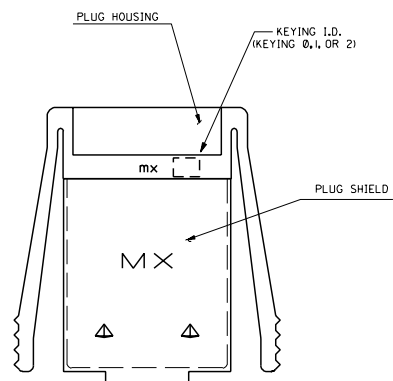


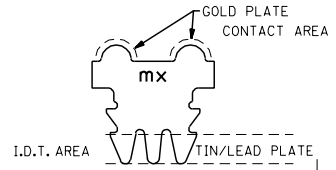
| NON-KEYED VERSION<br>A-71350-00** |              | KEYING OPTION "1"<br>A-71350-10** |              | KEYING OPTION "2"<br>A-71350-20** |              | CKT.<br>SIZE | DIM. "A" |      | DIM. "B" |       | DIM. "C" |       |
|-----------------------------------|--------------|-----------------------------------|--------------|-----------------------------------|--------------|--------------|----------|------|----------|-------|----------|-------|
| E.D.P. NUMBER                     | ENG. NUMBER  | E.D.P. NUMBER                     | ENG. NUMBER  | E.D.P. NUMBER                     | ENG. NUMBER  |              | MM       | IN.  | MM       | IN.   | MM       | IN.   |
| 015-83-0604                       | A-71350-0004 | 015-83-0634                       | A-71350-1004 | 015-83-0654                       | A-71350-2004 | 04           | 9,30     | .366 | 12,06    | .475  | 17,22    | .678  |
| 015-83-0606                       | A-71350-0006 | 015-83-0636                       | A-71350-1006 | 015-83-0656                       | A-71350-2006 | 06           | 11,84    | .466 | 14,60    | .575  | 19,76    | .778  |
| 015-83-0608                       | A-71350-0008 | 015-83-0638                       | A-71350-1008 | 015-83-0658                       | A-71350-2008 | 08           | 14,38    | .566 | 17,14    | .675  | 22,30    | .878  |
| 015-83-0616                       | A-71350-0016 | 015-83-0646                       | A-71350-1016 | 015-83-0666                       | A-71350-2016 | 16           | 24,54    | .966 | 27,31    | 1.075 | 32,46    | 1,278 |



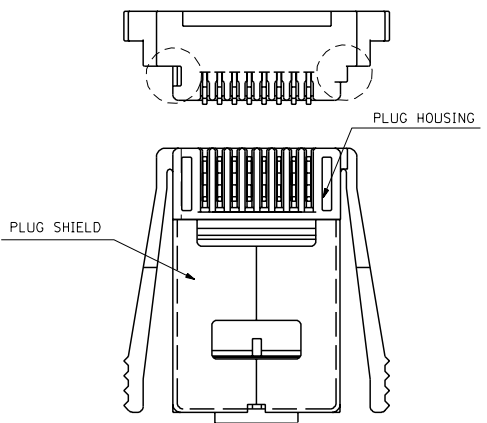
NON-KEYED VERSION



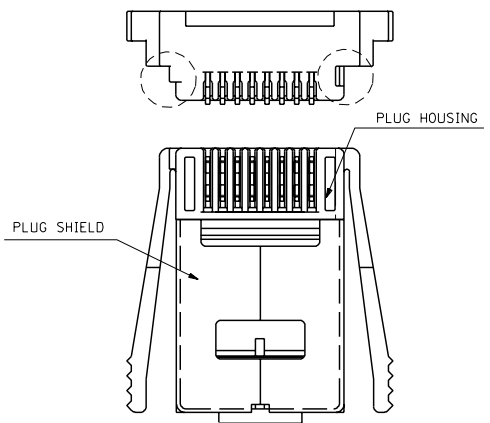
- NOTES:
- FOR ILLUSTRATION PURPOSES 8 CIRCUIT SHOWN.
  - REFER TO PK-70873-0054 FOR STANDARD PACKAGING.
  - MUST CONFORM TO PS-71350-A & AS-71350.
  - MATERIAL:  
PLUG HOUSING: POLYCARBONATE ALLOY; COLOR: CLEAR  
PLUG SHIELD: BRASS WITH 100 MICRO-INCH TIN PLATE OVER 50 MICRO-INCH NICKEL (MOLEX ES-88 CODE 154)  
CONTACTS: PHOSPHOR BRONZE, 50 MICRO-INCH GOLD SELECTIVE PLATE IN THE CONTACT AREA, 50 MICRO-INCH TIN/LEAD SELECTIVE PLATE IN THE IDT AREA, BOTH OVER 50 MICRO-INCH NICKEL UNDERPLATE. (MOLEX ES-88 CODE 575).



SIDE VIEW OF CONTACT  
SEE MATERIAL NOTE ABOVE



KEYING OPTION "1"



KEYING OPTION "2"

|   |   |
|---|---|
| MFG. SHL. REV. LTR. REVISIONS   |   |
| FI  | UPDATED NOTE 3 PER LD 2002-0476 03/25/01 IGAR/KCI |
| F   | REVISED ISCKT DIM. ECR #J10523 02/22/91 MURPHY    |
| E   | REVISED NOTES PER ECR #UB1804 8/17/88 BIXLER      |
| D   | REVISED DIM. "C" PER ECR # 10506 10/26/87 CB7/L   |
| C   | REVISED PER DETAILS PER ECR #0145 5/29/87 CAB     |
| B   | REVISED PER ECR # 2074 07/10/86 J. LONG           |
| A   | ADDED EDP NO.S PER ECR # 22308 06/06/85 J. LONG   |
| I   | X-RELEASE PER ECR # 21435 11/26/85 J. LONG        |
| REVISIONS   |   |
| DIMENSIONS SHOWN (METRIC) INCH  |   |
| UNLESS OTHERWISE SPECIFIED TOLERANCES ANGULAR 1/2°  |   |
| 2 PLACE   | INCH METRIC                                       |
| 1 PLACE   | ---   |
| 1 PLACE   | ---   |
| DRAFT WHERE APPLICABLE MUST REMAIN WITHIN DIMENSIONS  |   |
| APPROV. BY J. Long  | ENGR. BY BIXLER                                   |
| FILE NAME S71350V01   | SCALE 4 : 1                                       |
| TITLE SEMCONN - PLUG ASSEMBLY SHIELDED FLAT CABLE   |   |
| MOLEX INCORPORATED SHEET NO. DATE U.S.A. 1 OF 1 11/23/85  |   |
| PART NO. 68532 DRWG. NO. SDA-71350-****   |   |
| SEE CHART   |   |
| NO DRAWING CONTAINS INFORMATION THAT IS PROPRIETARY TO MOLEX INC. AND SHOULD NOT BE USED WITHOUT WRITTEN PERMISSION. TC |   |