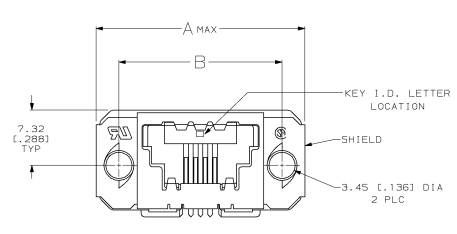
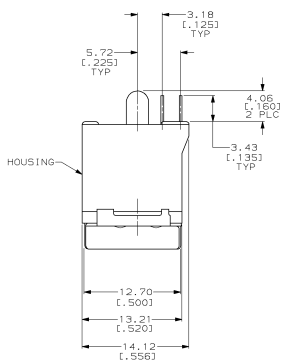
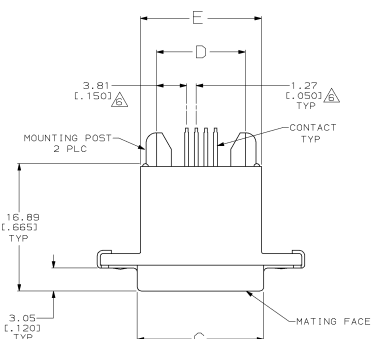


DRAWING MADE IN THIRD ANGLE PROJECTION  
 THIS DRAWING IS UNPUBLISHED. RELEASED FOR PUBLICATION  
 © copyright 1988 BY AMP INCORPORATED. ALL INTERNATIONAL RIGHTS RESERVED.

REV	BY	DATE	DESCRIPTION	DATE	APPD
V	REV PER EC	0020-1350-94		01-09-94	SM
W	REV PER EC	0020-44-95		02-09-95	RB
Y	REV PER EC	0020-874-95		06-09-95	RB
Z	OBS -22, -26, -35, -42, -51			24-01-96	RB
AA	OBS -43 PER EC	0020-1120-95		28-06-95	JGH
AB	OBSOLETE -32			28-06-95	JDS
	PER EC	0410-186-96			



REV	BY	DATE	DESCRIPTION	DATE	APPD					
OBSOLETE		16.00	11.43	16.74	21.59	27.94	4	F		6-520422-1
		31.24	26.67	31.98	36.83	43.18	16	E		5-520422-6
		21.08	16.51	21.82	26.67	33.02	8	E		5-520422-3
		18.54	13.97	19.28	24.13	30.48	6	E		5-520422-2
		16.00	11.43	16.74	21.59	27.94	4	E		5-520422-1
OBSOLETE		21.08	16.28	21.82	26.67	33.02	8	D		4-520422-3
OBSOLETE		16.00	11.43	16.74	21.59	27.94	4	D		4-520422-2
		31.24	26.67	31.98	36.83	43.18	16	C		3-520422-6
		21.08	16.51	21.82	26.67	33.02	8	C		3-520422-3
OBSOLETE		16.00	11.43	16.74	21.59	27.94	4	C		3-520422-2
		31.24	26.67	31.98	36.83	43.18	16	B		2-520422-6
OBSOLETE		18.54	13.74	19.28	24.13	30.48	6	B		2-520422-2
		31.24	26.67	31.98	36.83	43.18	16	A		1-520422-6
		21.08	16.51	21.82	26.67	33.02	8	A		1-520422-3
		18.54	13.97	19.28	24.13	30.48	6	A		1-520422-2
		16.00	11.43	16.74	21.59	27.94	4	A		1-520422-1

- PREFIX AND SUFFIX NUMBERS MUST MATCH THOSE ON PLUS ASSEMBLY FOR PARTS TO MATE.
- POLYESTER, FLAME RETARDANT, UL 94V-0 RATED, GLASS FILLED, BLACK.
- 0.76µm (.000030) MIN TIN-LEAD OVER 2.54µm (.000100) MIN COPPER.
- 1.27µm (.000050) MIN GOLD ON MATING SURFACE FOR A LENGTH OF 2.54 (.100) MIN, 3.81µm (.000150) MIN TIN-LEAD ON OPPOSITE END FOR A LENGTH OF 3.81 (.150) MIN, BOTH OVER 1.27µm (.000050) MIN NICKEL ON ENTIRE CONTACT.
- 0.76µm (.000030) MIN TIN-LEAD OVER 1.27µm (.000050) MIN NICKEL. DIMENSION APPLIES TO PORTION OF CONTACT PROJECTING FROM REAR OF CONNECTOR ONLY.

DO NOT SCALE PRINT. UNLESS SPECIFIED, DIMENSIONS IN mm (INCHES) TOLERANCES ON 2 PLC DEC + .008 (.015) INCHES

DR 3-22-88  
 G.L. EISNER  
 APPD 8-8-89  
 J. PRITTSKY

MATERIAL POLYESTER  
 HOUSING BRASS  
 SHIELD BRASS  
 CONTACT, PHOSPHOR BRONZE

AMP INCORPORATED  
 1000 W. 17TH ST.  
 NAME  
 RECEPTACLE ASSEMBLY,  
 TOP ENTRY, SDL

APPLICATION SPEC 108-2047  
 FINISH  
 SHIELD: SEE TABLE  
 CONTACT: A

SIZE D  
 FIGR NO 00779  
 DRAWING NO 520422  
 SCALE 4:1  
 SHEET 1 OF 1

25-JAN-98 12:58:45 0063565 /home/ssrv0264/es02/dep4021/amp3856/etmod

CUSTOMER DRAWING