

4

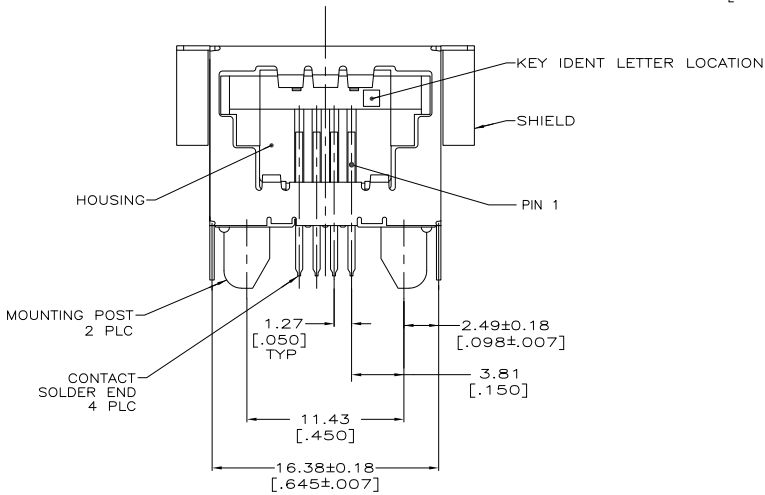
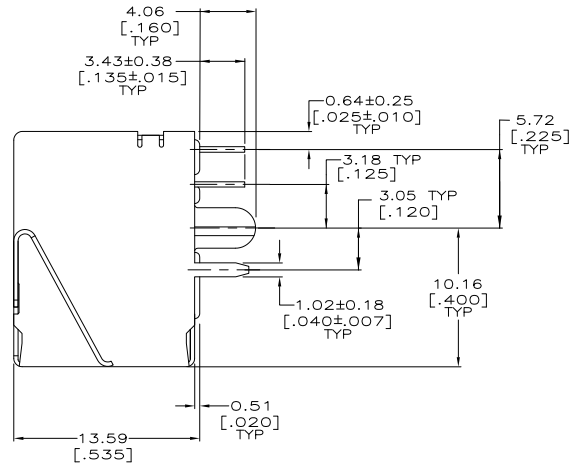
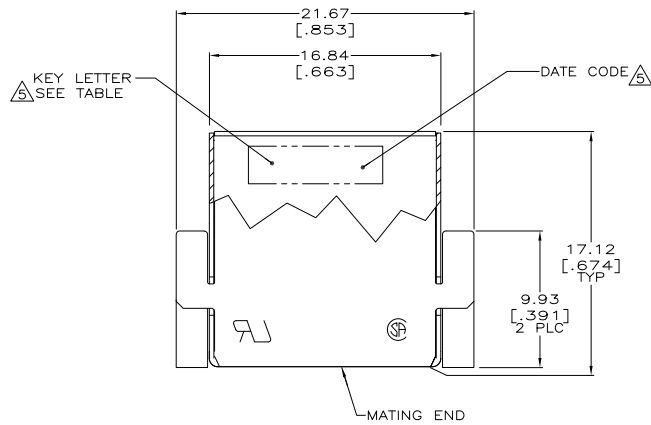
3

2

1

THIS DRAWING IS UNPUBLISHED. RELEASED FOR PUBLICATION
 © COPYRIGHT BY TYCO ELECTRONICS CORPORATION. ALL RIGHTS RESERVED.

LOC	DIST	REVISIONS			
F	LNK	DESCRIPTION	DATE	BY	APPD
GP	00				
	A2	REVISED PER ECO-10-006753	28APR2010	CJV	CWR



- △ LCP, UL 94V-0 RATED, BLACK.
- △ PHOSPHOR BRONZE.
- △ 2.54µm [.000100] MIN BRIGHT TIN.
- △ 3.81µm [.000150] MIN MATTE TIN ON SOLDER END, 1.27µm [.000050] MIN GOLD ON MATING END FOR A LENGTH OF 2.54 [.100] MIN ON MATING SURFACE, ALL OVER 1.27µm [.000050] MIN NICKEL.
- △ KEY IDENTIFICATION LETTER AND DATE CODE HOT STAMPED ON HOUSING, THIS SURFACE, LOCATED APPROXIMATELY AS SHOWN.

E	5-1761205-1
D	4-1761205-1
KEY IDENT LETTER	PART NO

THIS DRAWING IS A CONTROLLED DOCUMENT.		DRN	SJ	MCMASTER	304PR04	Tyco Electronics Corporation Harrisburg, PA 17105-3608
DIMENSIONS: mm [INCHES]		CHK	ROHDE	304PR04	NAME	
TOLERANCES UNLESS OTHERWISE SPECIFIED:		C		304PR04	NAME	RECEPTACLE ASSEMBLY, 4 POSITION, SIDE ENTRY GND, SDL
0 PLC ± -		M. WALMSLEY		304PR04	NAME	
1 PLC ± -		108-2047			APPLICATION SPEC	SIZE
2 PLC ± 0.13 (.005)		114-2081			HEIGHT	DATE CODE
3 PLC ± -		CUSTOMER DRAWING			FINISH	DRAWING NO
4 PLC ± -						RESTRICTED TO
ANGLES ± -						SCALE
MATERIAL						SHEET
FINISH						1 of 1
						REV
						A2

AMP 1471-9 REV 31MMR2000

1761205

B

A