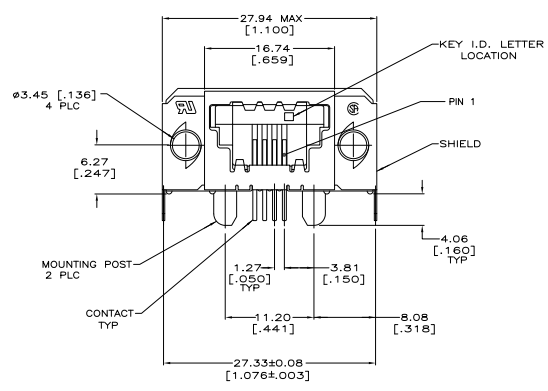
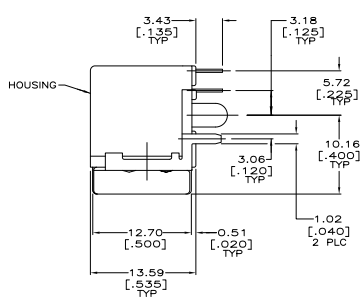
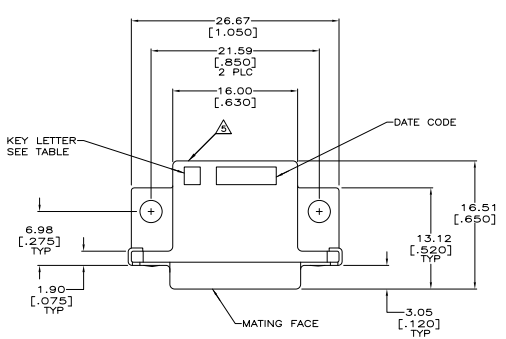


REV	DATE	DESCRIPTION	BY	CHK	APP
00					
A1		REVISED FOR ECO-07-008407			JDF/CWR

- PREFIX AND SUFFIX NUMBERS MUST MATCH THOSE ON PLUG ASSEMBLY FOR PARTS TO MATE.
- POLYESTER, FLAME RETARDANT, UL 94V-0 RATED, GLASS FILLED, BLACK.
- 3.81mm [.000150] MIN BRIGHT TIN OVER 1.27mm [.000050] MIN NICKEL.
- 1.27mm [.000050] MIN GOLD ON MATING SURFACE FOR A LENGTH OF 2.54 [.100] MIN, 3.81mm [.000150] MIN MATTE TIN ON OPPOSITE END FOR A LENGTH OF 3.81 [.150] MIN, BOTH OVER 1.27mm [.000050] MIN NICKEL ON ENTIRE CONTACT.
- NUMBERS 13, 14, 15, 16 OR LETTER P TO APPEAR ON LOWER RIGHT REAR OF HOUSING IN AREA INDICATED.
- PACKAGE IN TUBES.



OBSOLETE	E	5-1761195-1
	A	1-1761195-1
	KEY I.D. LETTER	PART NO

THIS DRAWING IS A CONTROLLED DOCUMENT.		REVISED BY	DATE	REVISION	DESCRIPTION
DESIGNED BY	APPROVED BY	DATE	REVISED BY	DATE	DESCRIPTION
108-2047					
114-2081					
A1	00779	1761195			
CUSTOMER DRAWING		SIZE	DATE	BY	APP
		A1	4:1	1	A1