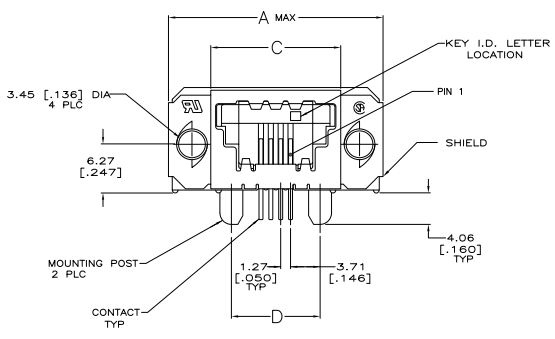
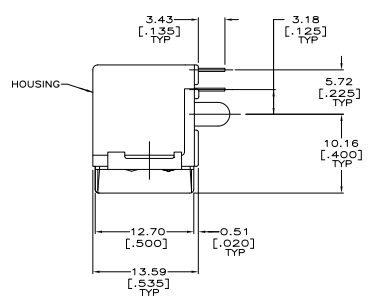
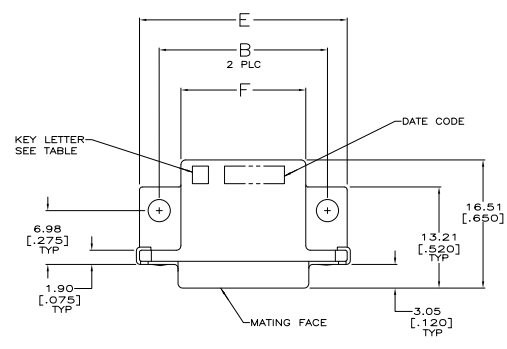


- PREFIX AND SUFFIX NUMBERS MUST MATCH THOSE ON PLUG ASSEMBLY FOR PARTS TO MATE.
- POLYESTER, FLAME RETARDANT, UL 94V-0 RATED, GLASS FILLED, BLACK.
- 0.7µm [0.00030] MIN BRIGHT TIN OVER 1.27µm [0.00050] MIN NICKEL.
- 1.27µm [0.00050] MIN GOLD ON MATING SURFACE FOR A LENGTH OF 2.54 [100] MIN.
- 3.81µm [0.00150] MIN MATTE TIN ON OPPOSITE END FOR A LENGTH OF 3.81 [150] MIN, BOTH OVER 1.27µm [0.00050] MIN NICKEL ON ENTIRE CONTACT.
- OBSELETE PARTS: OBSELETE CIS STREAMLINING PER D.RENAUD/D.SINISI



	31.24 [1.230]	41.91 [1.650]	26.67 [1.050]	31.98 [1.259]	36.83 [1.450]	43.18 [1.700]	16	E	5-1761182-6
OBSELETE	18.54 [.730]	29.21 [1.150]	13.97 [.550]	19.28 [.759]	24.13 [.950]	30.48 [1.200]	6	E	5-1761182-2
OBSELETE	16.00 [.630]	26.67 [1.050]	11.43 [.450]	16.74 [.659]	21.59 [.850]	27.94 [1.100]	4	E	5-1761182-1
OBSELETE	16.00 [.630]	26.67 [1.050]	11.43 [.450]	16.74 [.659]	21.59 [.850]	27.94 [1.100]	4	D	4-1761182-1
OBSELETE	21.08 [.830]	31.75 [1.250]	16.51 [.650]	21.82 [.859]	26.67 [1.050]	33.02 [1.300]	8	C	3-1761182-3
OBSELETE	16.00 [.630]	26.67 [1.050]	11.43 [.450]	16.74 [.659]	21.59 [.850]	27.94 [1.100]	4	B	2-1761182-1
OBSELETE	1.230 [.050]	1.650 [.050]	1.050 [.050]	1.259 [.050]	1.450 [.050]	1.700 [.050]	16	A	1-1761182-6
OBSELETE	21.08 [.830]	31.75 [1.250]	16.51 [.650]	21.82 [.859]	26.67 [1.050]	33.02 [1.300]	8	A	1-1761182-3
OBSELETE	16.00 [.630]	26.67 [1.050]	11.43 [.450]	16.74 [.659]	21.59 [.850]	27.94 [1.100]	4	A	1-1761182-1
F	E	D	C	B	A		NO OF POSN	KEY I.-D. LETTER	PART NO

THIS DRAWING IS A CONTROLLED DOCUMENT.

DESIGNED BY	APPROVED BY	DATE	REVISED BY
W. WILMSLEY		108-2047	
114-2081			

TE Connectivity
 RECEPTACLE ASSEMBLY, SIDE ENTRY, S0L

CUSTOMER DRAWING