

4

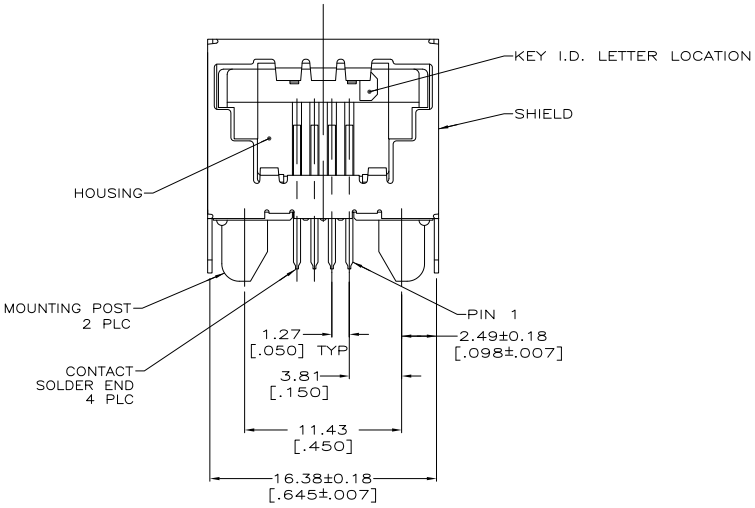
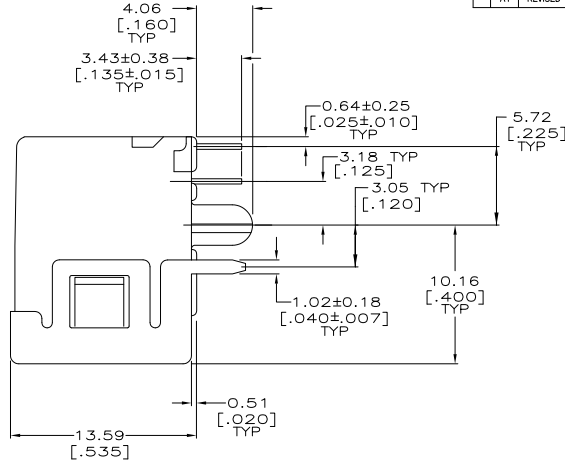
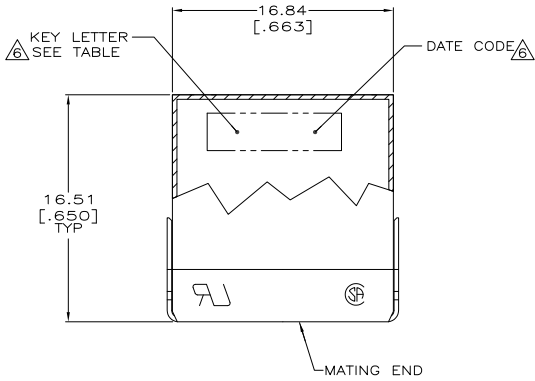
3

2

1

THIS DRAWING IS UNPUBLISHED. RELEASED FOR PUBLICATION.
 © COPYRIGHT - By - ALL RIGHTS RESERVED.

| LOC | DIST | REVISIONS | | DATE | BY | APP'D |
|-----|------|-----------|----|---------------------------|---------|--------|
| GP | 00 | F | LR | | | |
| | | A1 | | REVISED PER ECO-11-004835 | 11MAR11 | RK HMR |



- ▲ POLYESTER, UL 94V-0 RATED, BLACK.
- ▲ BRASS
- ▲ PHOSPHOR BRONZE.
- ▲ 3.81µm [.000150] MIN BRIGHT TIN OVER 1.27µm [.000050] MIN NICKEL.
- ▲ 3.81µm [.000150] MIN MATTE TIN ON SOLDER END, 1.27µm [.000050] MIN GOLD ON MATING END FOR A LENGTH OF 2.54 [.100] MIN ON MATING SURFACE, ALL OVER 1.27µm [.000050] MIN NICKEL.
- ▲ KEY IDENTIFICATION LETTER AND DATE CODE HOT STAMPED ON HOUSING, THIS SURFACE, LOCATED APPROXIMATELY AS SHOWN.

| | |
|-----------------|-------------|
| D | 4-1761206-1 |
| KEY I.D. LETTER | PART NO |

| | | | | | |
|--|----------------|------------------|--------------|-----------|---------------|
| THIS DRAWING IS A CONTROLLED DOCUMENT. | | DR | S. MCMASTER | 30MPH4 | |
| DIMENSIONS: mm [INCHES] | | CHK | C. RHODE | 30MPH4 | |
| TOLERANCES UNLESS OTHERWISE SPECIFIED: | | APP'D | M. WALKMSLEY | 30MPH4 | NAME |
| 0 PLC | ± | PRODUCT SPEC | 108-2047 | | |
| 1 PLC | ± | APPLICATION SPEC | 114-2081 | | |
| 2 PLC | ± 0.13 [0.005] | HEIGHT | - | | |
| 3 PLC | ± | | | | |
| 4 PLC | ± | | | | |
| ANGLES | ± | | | | |
| FINISH | | | | | |
| MATERIAL | ▲▲▲ | | | | |
| | ▲▲ | | | | |
| | ▲ | | | | |
| | | | | | |
| CUSTOMER DRAWING | | SIZE | A2 | ORIG CODE | 00779 |
| | | DRAWING NO | C=1761206 | | RESTRICTED TO |
| | | SCALE | 5:1 | SHEET | 1 of 1 |
| | | REV | A1 | | |

1471-9 (3/11)

1761206

A