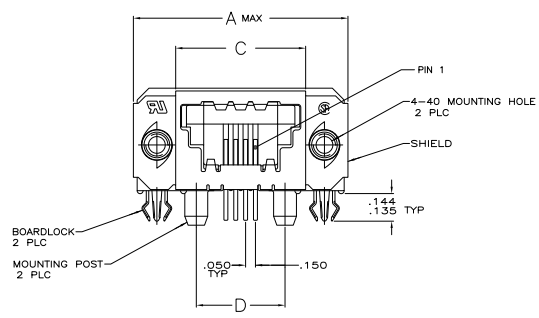
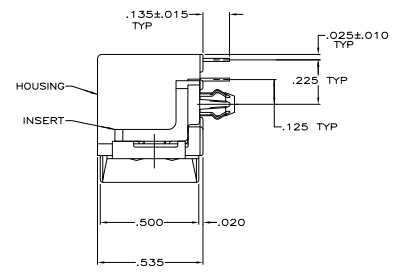
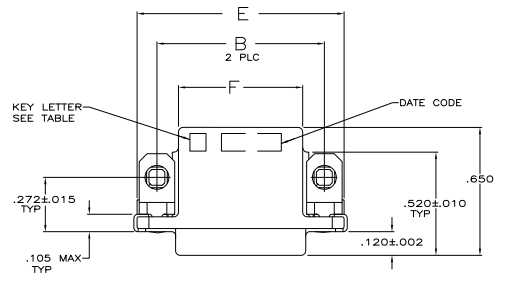


THIS DRAWING IS UNPUBLISHED  
 ALL RIGHTS RESERVED

REV	DATE	DESCRIPTION	BY	CHK	APP
00					
AS		REVISED PER EDD-11-004835			

- △ HOUSING: POLYESTER, FLAME RETARDANT, UL 94V-0 RATED, GLASS FILLED, BLACK.  
 SHIELD: BRASS  
 INSERT: ZINC ALLOY  
 BOARDLOCKS: COPPER ALLOY
- △ SHIELD: .00030 MIN BRIGHT TIN OVER .00050 MIN NICKEL.  
 CONTACTS: .000150 MIN MATTE TIN ON SOLDER END, .000050 MIN GOLD ON  
 MATING END FOR A LENGTH OF .100 MIN ON MATING SURFACE,  
 ALL OVER .00050 MIN NICKEL ON ENTIRE CONTACT.  
 INSERTS: .000150 MIN NICKEL OVER .000100 MIN COPPER.  
 BOARDLOCKS: .000200 MIN TIN OVER .000050 MIN NICKEL.
- △ GOLD PLATING PER MIL-G-45204, NICKEL PLATING PER QQ-N-290,  
 TIN PLATING PER MIL-T-10727.



OBSOLETE	1.230	1.650	1.050	1.260	1.450	1.700	16	E	5-1761199-6
	.830	1.250	.650	.860	1.050	1.300	8	E	5-1761199-3
	.630	1.050	.450	.660	.850	1.100	4	E	5-1761199-1
	.630	1.050	.450	.660	.850	1.100	4	D	4-1761199-1
OBSOLETE	.630	1.050	.450	.660	.850	1.100	4	C	3-1761199-1
OBSOLETE	.630	1.050	.450	.660	.850	1.100	4	B	2-1761199-1
	1.230	1.650	1.050	1.260	1.450	1.700	16	A	1-1761199-6
	.830	1.250	.650	.860	1.050	1.300	8	A	1-1761199-3
	.730	1.150	.550	.760	.950	1.200	6	A	1-1761199-2
	.630	1.050	.450	.660	.850	1.100	4	A	1-1761199-1

F	E	D	C	B	A	NO OF POSN	KEY LETTER	PART NO

THIS DRAWING IS A CONTROLLED DOCUMENT. **TE Connectivity**

RECEPTACLE ASSEMBLY, SIDE ENTRY, SOLDER

108-2047

114-2081

DATE 007799 1761199

CUSTOMER DRAWING