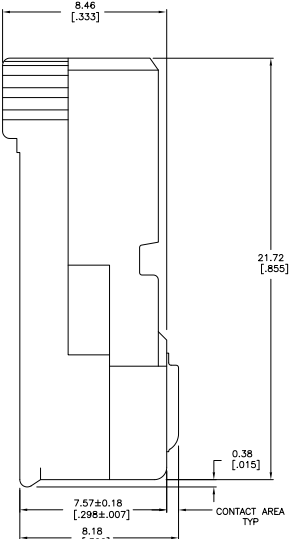
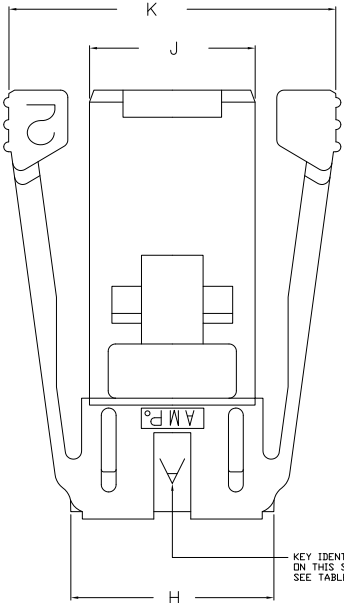
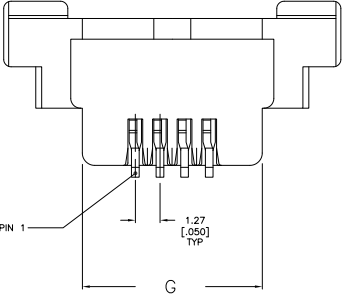


THIS DRAWING IS UNPUBLISHED  
 ALL RIGHTS RESERVED

REV	DATE	DESCRIPTION	BY	CHK	APP
00					
A2		REVISED PER EDD-11-005033			



KEY IDENTIFICATION LETTER ON THIS SURFACE SEE TABLE



- PREFIX AND SUFFIX NUMBERS MUST MATCH THOSE ON RECEPTACLE FOR PARTS TO MATE.
- MATERIAL**  
 HOUSING- POLYCARBONATE  
 CONTACT- COPPER ALLOY
- FINISH**  
 HOUSING- SMOKE GRAY  
 CONTACT- 0.00127(0.00050) MIN NICKEL OVER ENTIRE PART,  
 0.000127(0.00001) MIN GOLD FLASH OVER ENTIRE PART,  
 0.00127(0.00050) MIN GOLD OVER CONTACT AREA.
- CABLES SHOULD MEET AMP DRAWING SPECIFICATIONS S20704-1.
- CABLES SHOULD MEET AMP DRAWING SPECIFICATIONS S20705-1.
- CABLES SHOULD MEET AMP DRAWING SPECIFICATIONS S20706-1.
- CABLES SHOULD MEET AMP DRAWING SPECIFICATIONS S20707-1.
- BULK CABLE IS NOT AVAILABLE FROM AMP INC.
- FOR TERMINATION OF 24 AWG, 7 STRANDED, ROUND CABLE WITH 1.27(0.050) NOMINAL O.D. CONDUCTOR INSULATION, PER LISTED DRAWING SPECIFICATIONS.

OBSDLETE																				
	S20854-1	S20466-1	S20467-1	5.88-6.91 (.229-.272)	S20440-1	7.32-7.82 (.288-.308)	S20441-1	16.87 (.664)	8.64 (.340)	10.46 (.412)	9.35 (.368)	4	F	△	6-S20424-1					
	S20853-1	S20464-1	S20465-1	4.55-5.38 (.179-.212)	S20436-1	5.69-6.20 (.224-.244)	S20437-1	16.87 (.664)	8.64 (.340)	10.46 (.412)	9.35 (.368)	16	E	△	5-S20424-6					
OBSDLETE	S20852-1	S20462-1	S20463-1			5.36-5.72 (.211-.225)	S20435-1	19.41 (.764)	11.18 (.440)	13.00 (.512)	11.89 (.468)	8	E	△	5-S20424-3					
	S20851-1	S20460-1	S20461-1	3.73-4.42 (.147-.174)	S20432-1	4.72-5.08 (.186-.200)	S20433-1	16.87 (.664)	8.64 (.340)	10.46 (.412)	9.35 (.368)	4	E	△	5-S20424-1					
OBSDLETE								19.41 (.764)	11.18 (.440)	13.00 (.512)	11.89 (.468)	8	D	△	4-S20424-3					
OBSDLETE								19.41 (.764)	11.18 (.440)	13.00 (.512)	11.89 (.468)	6	D	△	4-S20424-2					
	S20851-1	S20460-1	S20461-1	3.73-4.42 (.147-.174)	S20432-1	4.72-5.08 (.186-.200)	S20433-1	16.87 (.664)	8.64 (.340)	10.46 (.412)	9.35 (.368)	4	D	△	4-S20424-1					
	S20853-1	S20464-1	S20465-1	4.55-5.38 (.179-.212)	S20436-1	5.69-6.20 (.224-.244)	S20437-1	16.87 (.664)	8.64 (.340)	10.46 (.412)	9.35 (.368)	8	C	△	3-S20424-3					
OBSDLETE								19.41 (.764)	11.18 (.440)	13.00 (.512)	11.89 (.468)	6	C	△	3-S20424-2					
OBSDLETE								16.87 (.664)	8.64 (.340)	10.46 (.412)	9.35 (.368)	4	C	△	3-S20424-1					
OBSDLETE								16.87 (.664)	8.64 (.340)	10.46 (.412)	9.35 (.368)	16	C	△	3-S20424-6					
OBSDLETE								19.41 (.764)	11.18 (.440)	13.00 (.512)	11.89 (.468)	8	B	△	2-S20424-3					
OBSDLETE								19.41 (.764)	11.18 (.440)	13.00 (.512)	11.89 (.468)	6	B	△	2-S20424-2					
OBSDLETE	S20851-1	S20460-1	S20461-1	3.73-4.42 (.147-.174)	S20432-1	4.72-5.08 (.186-.200)	S20433-1	16.87 (.664)	8.64 (.340)	10.46 (.412)	9.35 (.368)	4	B	△	2-S20424-1					
	S20854-1	S20466-1	S20467-1	5.88-6.91 (.229-.272)	S20440-1	7.32-7.82 (.288-.308)	S20441-1	16.87 (.664)	8.64 (.340)	10.46 (.412)	9.35 (.368)	16	A	△	1-S20424-6					
	S20853-1	S20464-1	S20465-1	4.55-5.38 (.179-.212)	S20436-1	5.69-6.20 (.224-.244)	S20437-1	16.87 (.664)	8.64 (.340)	10.46 (.412)	9.35 (.368)	8	A	△	1-S20424-3					
	S20852-1	S20462-1	S20463-1			5.36-5.72 (.211-.225)	S20435-1	19.41 (.764)	11.18 (.440)	13.00 (.512)	11.89 (.468)	6	A	△	1-S20424-2					
	S20851-1	S20460-1	S20461-1	3.73-4.42 (.147-.174)	S20432-1	4.72-5.08 (.186-.200)	S20433-1	16.87 (.664)	8.64 (.340)	10.46 (.412)	9.35 (.368)	4	A	△	1-S20424-1					

BODT	TOP SHIELD	BOTTOM SHIELD	CABLE OD/FERRULE	CABLE OD/FERRULE	K	J	H	G	NO OF PINS	KEY LETTER	PART NO

THIS DRAWING IS A CONTROLLED DOCUMENT. **AMP** CONNECTOR SYSTEMS

INCHES (mm) DIMENSIONS: 1.27 (0.050) TYP

DATE: 108-2047

SIZE: 114-2090

DESCRIPTION: PLUG SUB-ASSY, ROUND CABLE, 50 SERIES, SDL

REVISED PER EDD-11-005033

CUSTOMER DRAWING