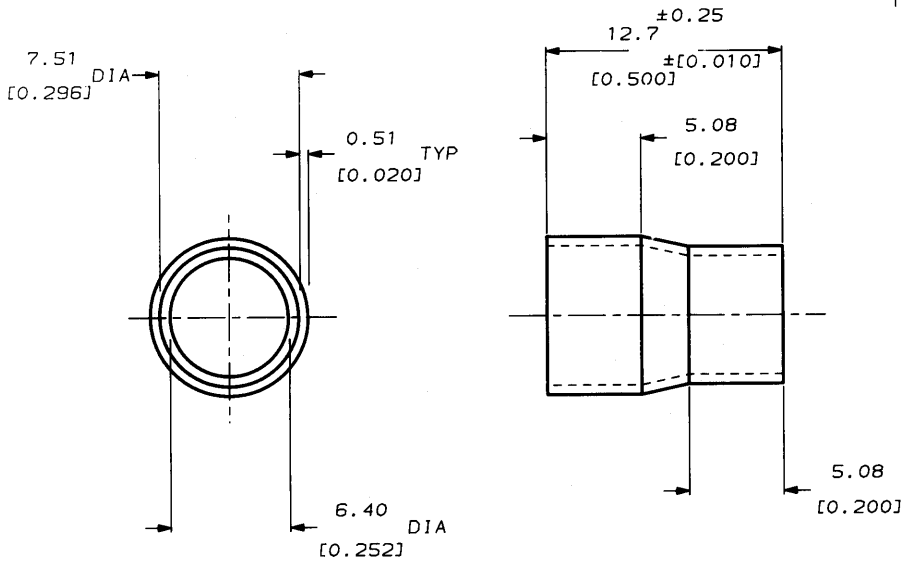


DRAWING MADE IN THIRD ANGLE PROJECTION

THIS DRAWING IS UNPUBLISHED. RELEASED FOR PUBLICATION _____, 19____
 © COPYRIGHT 19____ BY AMP INCORPORATED, HARRISBURG, PA. ALL INTERNATIONAL RIGHTS RESERVED. AMP PRODUCTS MAY BE COVERED BY U.S. AND FOREIGN PATENTS AND/OR PATENTS PENDING.

1 Loc *BD* DIST 50

REVISIONS						
P	F	ZONE	LTR	DESCRIPTION	DATE	APPROVED
			A	REVISED PER AF0305	4/23/84	<i>SS</i>
			B	REVISED PER AF0372	7/22/84	<i>SS</i>
1	✓		C	RELEASED PER P.A.R.	8/28/84	<i>SS</i>
			D	REV PER AF 4004	8/28/84	<i>SS</i>



- 1 DIMENSIONS IN BRACKETS ARE IN INCHES
- 2 INSULATION RANGE: 6.25-5.13 [0.246-0.202]

520437-1
PART NO

<small>UNLESS OTHERWISE SPECIFIED DIMENSIONS ARE IN INCHES AND DECIMALS ARE TO ± 0.00 (0.013) ANGLES 2°</small>		CONTRACT NO DR <i>J. Schaff</i> 4/27/84 CHK <i>G. Y. Miller</i> 4/10/84 APPD <i>J. Schaff</i> 4/27/84 APPD <i>C. Rodde</i> 2-24-84		AMP AMP INCORPORATED Harrisburg, Pa.	
MATERIAL COPPER		NAME SDL FERRULE STYLE B (8 POSITION)		DRAWING NO 520437	
FINISH BRIGHT TIN		DSGN APPD OTHER APPD		SIZE B	
				FSCH NO 00779	
				SCALE SHEET	

CUSTOMER DRAWING