

4

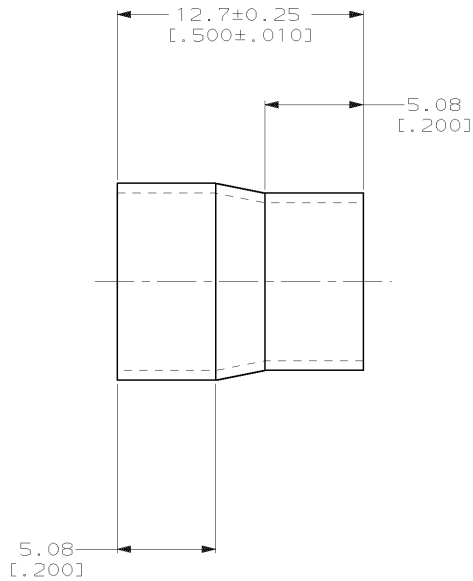
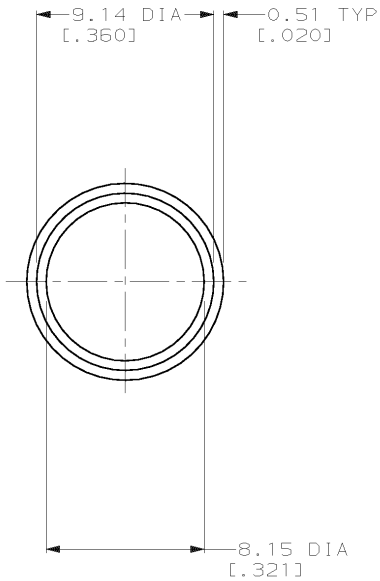
3

2

1

THIS DRAWING IS UNPUBLISHED. RELEASED FOR PUBLICATION .19 . . .
 © COPYRIGHT 19 BY AMP INCORPORATED. ALL RIGHTS RESERVED.

LOC	DIST	REVISIONS					
BD	50	P	LTR	DESCRIPTION	DATE	DWN	APVD
		A		REVISED PER AF0372	22 JUL 84	SS	GY
		B		RELEASED PER P.A.R.	03 OCT 84	SS	GY
		C		REV PER AF4854	29 JUN 87	DH	-
		D		REV PER EC 0640-180-98	07 APR 99	DH	JS



520441-1
PART NUMBER

1. INSULATION RANGE:
8.00-6.65 [0.315-0.262]

THIS DRAWING IS A CONTROLLED DOCUMENT.		DWN S. SCHAFFHAUSER 02 APR 84	AMP Incorporated Harrisburg, PA 17105-3608	
DIMENSIONS: mm [INCHES]		CHK S. YETTER 02 APR 84	NAME C. ROHDE 02 APR 84	
TOLERANCES UNLESS OTHERWISE SPECIFIED:		APVD C. ROHDE 02 APR 84	PRODUCT SPEC	
0 PLC ±-		APPLICATION SPEC		
1 PLC ±-		WEIGHT		
2 PLC ±0.38 [.015]		SIZE CAGE CODE DRAWING NO RESTRICTED TO		
3 PLC ±-		A3 00779 C- 520441		
4 PLC ±-		CUSTOMER DRAWING SCALE 5:1 SHEET 1 OF 1 REV D		
ANGLES ±-				
MATERIAL COPPER	FINISH BRIGHT TIN			

AMP 1470-19 REV 11 JUN 97

22-APR-99 11:02:40 amp35397 /home/ssrv026d/dsk04/dep14023/amp35397/edmod