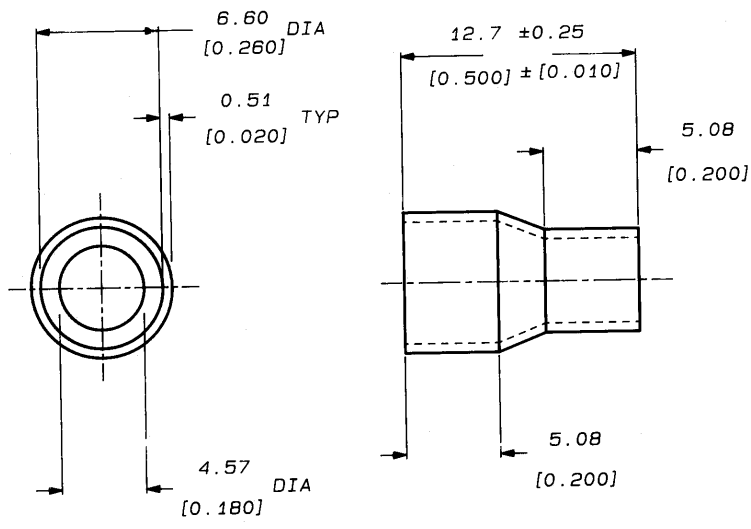


DRAWING MADE IN THIRD ANGLE PROJECTION

THIS DRAWING IS UNPUBLISHED. RELEASED FOR PUBLICATION . 19

© COPYRIGHT 19 BY AMP INCORPORATED, HARRISBURG, PA. ALL INTERNATIONAL RIGHTS RESERVED. AMP PRODUCTS MAY BE COVERED BY U.S. AND FOREIGN PATENTS AND/OR PATENTS PENDING.

		REVISIONS				DATE	APPROVED
P	F	ZONE	LTR	DESCRIPTION			
✓	1		A	REV. PER AF0372, RELEASED PER P.A.R.	7/22/84	SS	
	2			REV PER P1 42.4	8/17/84	dl	



- 1 DIMENSIONS IN BRACKETS ARE IN INCHES
- 2 INSULATION RANGE: 4.42-3.73 [0.174-0.147]

520432-1

UNLESS OTHERWISE SPECIFIED DIMENSIONS ARE IN INCHES TOLERANCES UNLESS OTHERWISE SPECIFIED ARE: ANGLES ±		CONTRACT NO	AMP INCORPORATED Harrisburg, Pa.	
MATERIAL		DR <i>S. Smith</i> 5/2/84	NAME SDL FERRULE STYLE A (4 POSITION)	
FINISH		CHK <i>S. Smith</i> 5/2/84	SIZE B	FSCM NO 00779
BRIGHT TIN		APPRO <i>C. R. ...</i> 7-26-84	DRAWING NO 520432	SHEET
OTHER APPD		SCALE	PART NO 520432-1	

CUSTOMER DRAWING