

4

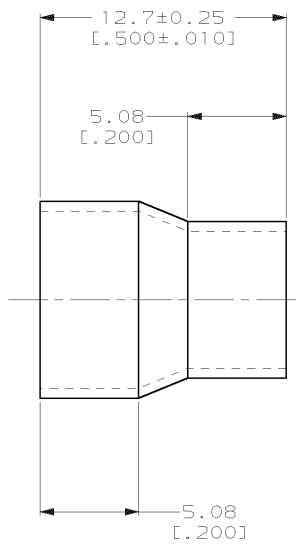
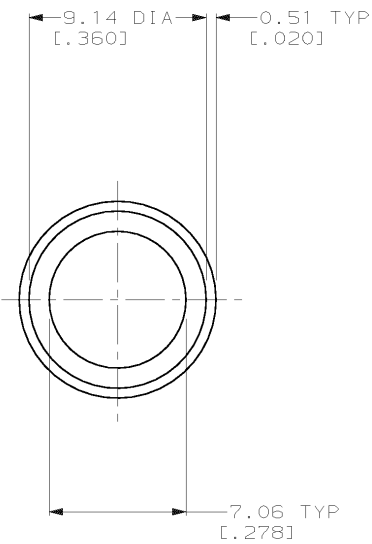
3

2

1

THIS DRAWING IS UNPUBLISHED. RELEASED FOR PUBLICATION .19 . . .
 © COPYRIGHT 19 BY AMP INCORPORATED. ALL RIGHTS RESERVED.

LOC	DIST	REVISIONS					
BD	50	P	LTR	DESCRIPTION	DATE	DWN	APVD
		A		REVISED PER AF0372	22 JUL 84	SS	-
		B		RELEASED PER P.A.R.	29 AUG 84	SS	-
		C		REV PER AF4894	29 JUN 87	DH	-
		D		REV PER EC 0640-180-98	07 APR 99	DH	JS



520440-1
PART NUMBER

1. INSULATION RANGE:
6.91-5.81 [0.272-0.229]

THIS DRAWING IS A CONTROLLED DOCUMENT.		DWN S. SCHAFFHAUSER 02 APR 84	AMP Incorporated Harrisburg, PA 17105-3608																					
DIMENSIONS: mm [INCHES]		CHK S. YETTER 02 APR 84	NAME C. ROHDE 30 AUG 84																					
<table border="1"> <tr> <th colspan="2">TOLERANCES UNLESS OTHERWISE SPECIFIED.</th> </tr> <tr> <td>0 PLC</td> <td>±-</td> </tr> <tr> <td>1 PLC</td> <td>±-</td> </tr> <tr> <td>2 PLC</td> <td>±0.38 [0.015]</td> </tr> <tr> <td>3 PLC</td> <td>±-</td> </tr> <tr> <td>4 PLC</td> <td>±-</td> </tr> <tr> <td>ANGLES</td> <td>±-</td> </tr> </table>		TOLERANCES UNLESS OTHERWISE SPECIFIED.		0 PLC	±-	1 PLC	±-	2 PLC	±0.38 [0.015]	3 PLC	±-	4 PLC	±-	ANGLES	±-	<table border="1"> <tr> <td>PRODUCT SPEC</td> <td></td> </tr> <tr> <td>APPLICATION SPEC</td> <td></td> </tr> <tr> <td>WEIGHT</td> <td>-</td> </tr> </table>			PRODUCT SPEC		APPLICATION SPEC		WEIGHT	-
TOLERANCES UNLESS OTHERWISE SPECIFIED.																								
0 PLC	±-																							
1 PLC	±-																							
2 PLC	±0.38 [0.015]																							
3 PLC	±-																							
4 PLC	±-																							
ANGLES	±-																							
PRODUCT SPEC																								
APPLICATION SPEC																								
WEIGHT	-																							
MATERIAL COPPER	FINISH BRIGHT TIN	SIZE A3	CAGE CODE 00779	DRAWING NO 520440																				
CUSTOMER DRAWING			SCALE 5:1	SHEET 1 OF 1																				
			REV D	RESTRICTED TO -																				