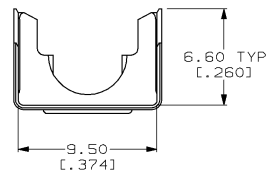
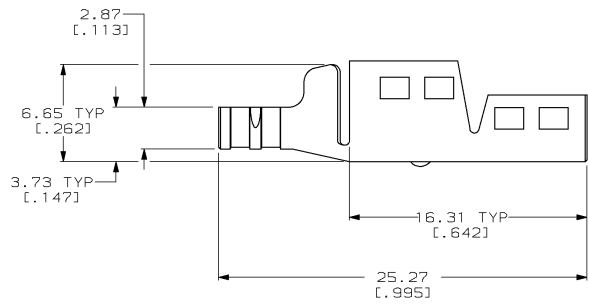


DRAWING MADE IN THIRD ANGLE PROJECTION
 THIS DRAWING IS UNPUBLISHED. RELEASED FOR PUBLICATION
 © COPYRIGHT 19 BY AMP INCORPORATED. ALL INTERNATIONAL RIGHTS RESERVED.

LOC	DIST	P	F	ZONE	LTR	REVISIONS	DESCRIPTION	DATE	APPD
BD	50					D	REDRAWN	9/27/90	-
						E	REV PER ECN B05662 & 5592	11/21/91	-
						F	REV PER EC 0410-251-97	22 SEP 97	JDS

1. THIS PART TO BE USED WITH:
 PLUG ASSEMBLY 520424-1 (ALL KEY PREFIXES)
 BOTTOM SHIELD 520461-1

FERRULE	CABLE DIAMETER
520432-1	4.42-3.73 [.174-.147]
520433-1	5.11-4.17 [.201-.164]



520460-1
 PART NUMBER

DO NOT SCALE PRINT. UNLESS SPECIFIED DIMENSIONS IN mm [INCHES] TOLERANCES ON ± 2 PLC DEC # 0.38 [.015] 3 PLC DEC # - ANGLES ± -		DR 9/27/90 A. STAUB BG	AMP Incorporated Harrisburg, PA 17105-3608	
MATERIAL 0.320 [.0126] CARBON STEEL		CHK 2-25-91 R. STONE		
FINISH 3.81 μm [.000150] MIN TIN OVER 2.54 μm [.000100] MIN COPPER		APPD 2-27-91 J. PRITULSKY	NAME SHELL, TOP HALF, 4 POSITION, SDL	
APPLICATION SPEC -		PRODUCT SPEC -	SIZE C	CAGE CODE 00779
WEIGHT -		SCALE 5:1	DRAWING NO 520460	
			SHEET 1 OF 1	

CUSTOMER DRAWING