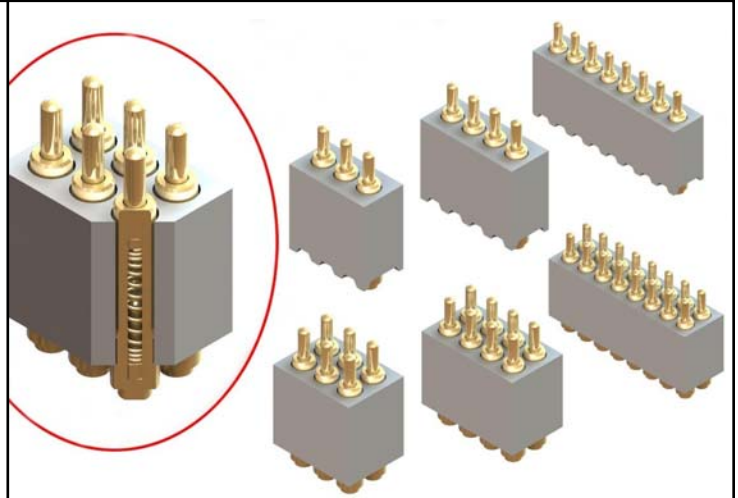
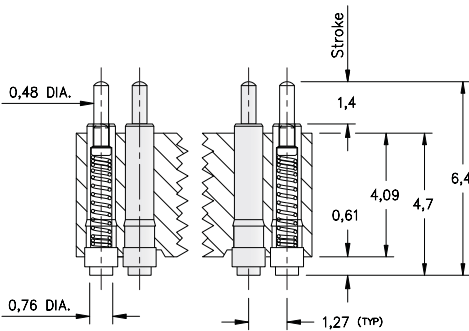
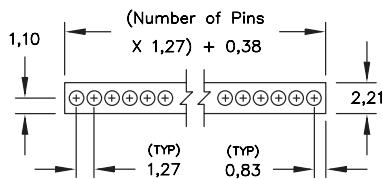


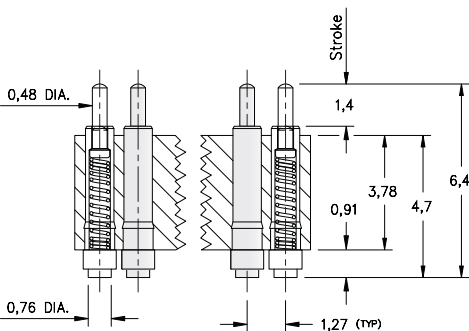
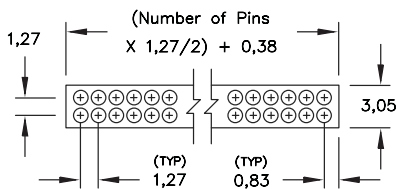
- Modular contacts for use on 1,27 grid, supplied in single and double row contact strips.
- Precision-machined piston / base and gold plated components assure a 1,000,000 min. cycle life.
- Pistons have a 0,69 mid stroke & 1,4 max stroke.
- Low resistance, high current contacts are rated at 2 amps continuous, 3 amps peak.
- High temperature thermoplastic insulators are suitable for surface mount processes.
- 854 & 855 series contact strips are designed for manual placement onto 1,02 Ø solder pads.



**Single Row Series 854**



**Double Row Series 855**



**Ordering Information**

**Series 854** **Single Row Surface Mount**

854-22-0\_\_-30-001101

Specify # of pins → 02-20

**Series 855** **Double Row Surface Mount**

855-22-0\_\_-30-001101

Specify # of pins → 04-40

*For Electrical, Mechanical & Environmental Data, See pg. 4.1*

*For RoHS compliance select plating code.*

**Technical Specifications**

**Materials:**

Contact piston & Base: Machined copper alloy plated 0,51µm gold over 2,54µm nickel  
 Spring: Beryllium copper plated 0,25µm gold  
 Insulator: High temp. thermoplastic rated UL94 V-0

**Mechanical:**

Spring force @ initial height (A): 25 grams  
 Spring force @ mid stroke (B/2): 60 grams  
 Durability: 1,000,000 cycles min.

**Electrical:**

Voltage rating: 100Vrms/150Vdc  
 Current rating: 2A (continuous), 3A (peak) per contact  
 Contact resistance: 20mΩ max.  
 Insulation resistance: 10,000MΩ min.  
 Dielectric strength: 700Vrms min.  
 Capacitance: 1pF max.

