

4

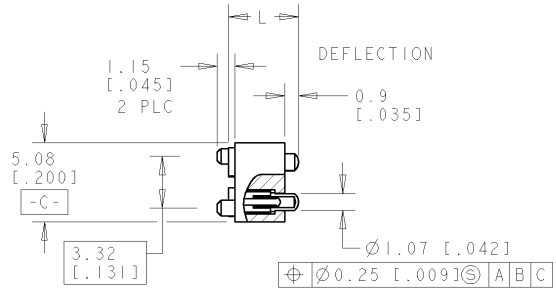
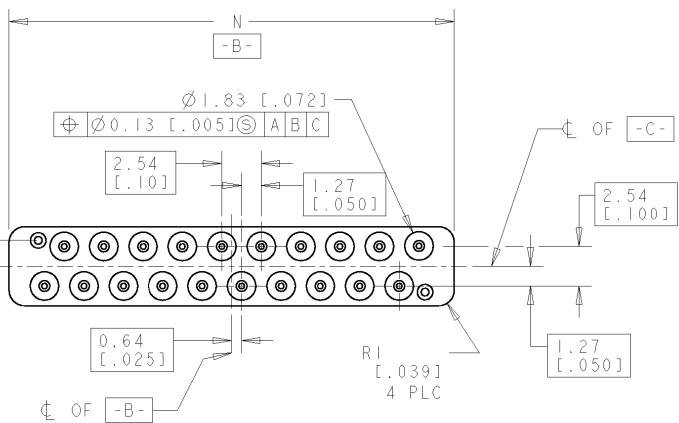
3

2

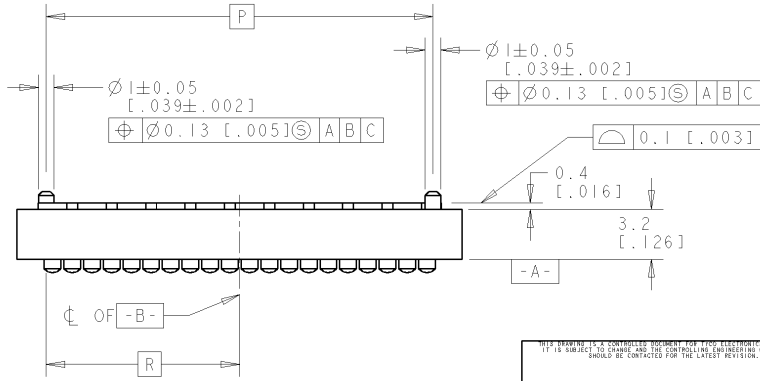
1

THIS DRAWING IS UNPUBLISHED. RELEASED FOR PUBLICATION
 © COPYRIGHT 19 BY TYCO ELECTRONICS CORPORATION. ALL RIGHTS RESERVED.

LOC	DIST	REVISIONS				
P	LTR	DESCRIPTION	DATE	DWN	APVD	
	AD	00				
A		ECO-07-013628	13JUN2007	RB	MM	



DEFLECTION STATE	L ± 0.1	NORMAL FORCE
MINIMUM	4.3	0.44 ± 0.15N
NOMINAL	4.02	0.64 ± 0.15N
MAXIMUM	3.70	0.88 ± 0.15N



PART NUMBER	POSN	N	P	R
1825437-1	12	18.51	14.76	7.38
1825437-2	16	23.59	19.84	9.92

THIS DRAWING IS A CONTROLLED DOCUMENT FOR TYCO ELECTRONICS CORPORATION. IT IS SUBJECT TO CHANGE AND THE CONTROLLING ENGINEERING ORGANIZATION SHOULD BE CONTACTED FOR THE LATEST REVISION.

DWN	R BROWN	13JUN2007	AMP Incorporated Harrisburg, PA 17105-3608
CHK	M MILLER	13JUN2007	
APVD	M MILLER	13JUN2007	
DIMENSIONS: mm [INCHES] TOLERANCES UNLESS OTHERWISE SPECIFIED: 0 PLC ±0.13 1 PLC ±0.13 2 PLC ±0.13 3 PLC ±0.13 4 PLC ±0.13 ANGLES ±°			NAME: LOW PROFILE PROBE CONNECTOR SPRING CONTACT, SURFACE MOUNT
MATERIAL	FINISH	RESTRICTED TO	
CUSTOMER DRAWING		SIZE: A3 CAGE CODE: 00779 DRAWING NO: C-1825437	SCALE: 1:1 SHEET: 1 OF 2 REV: A

AMP 1470-19 REV 31MAR2000
 Proj/ENGINEER DRAWING

4

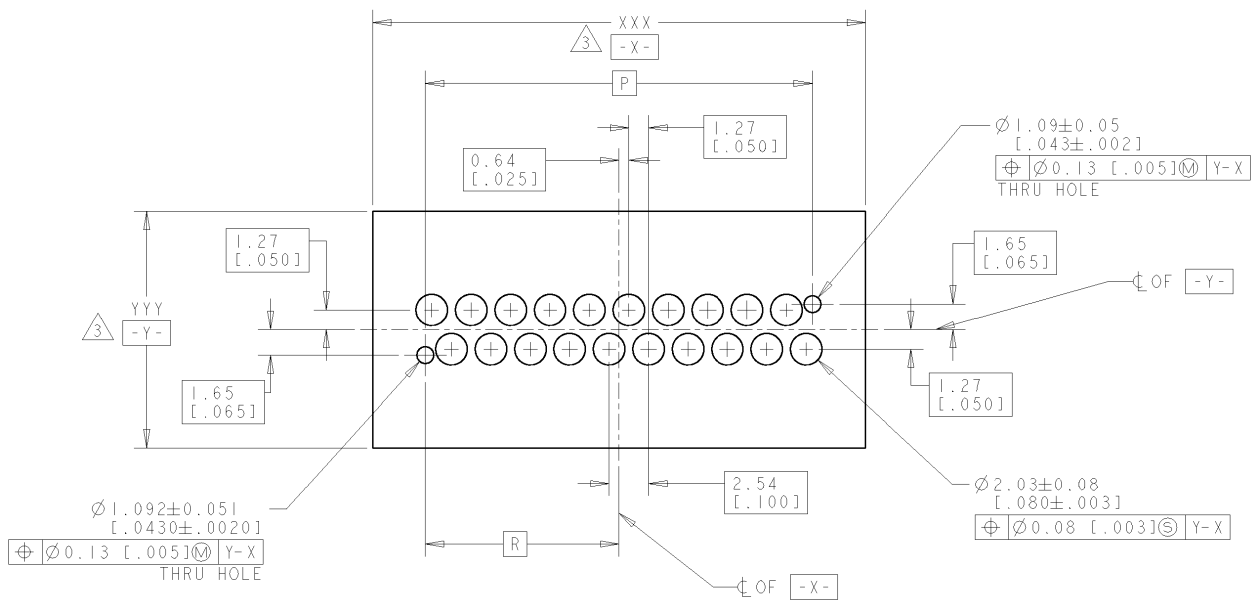
3

2

1

THIS DRAWING IS UNPUBLISHED. RELEASED FOR PUBLICATION
 © COPYRIGHT 19 BY TYCO ELECTRONICS CORPORATION. ALL RIGHTS RESERVED.

LOC	DIST	REVISIONS			
P	LTR	DESCRIPTION	DATE	DWN	APVD
-	-	SEE SHEET 1	-	-	-



RECOMMENDED PC BOARD LAYOUT

⚠ MATERIAL:
 HOUSING - HIGH TEMPERATURE THERMOPLASTIC,
 30% GLASS FILLED,
 FLAME RETARDED UL 94 V-0,
 COLOR: BLACK.
 CONTACTS - SCREW MACHINED BRASS.

② FINISH:
 CONTACT PISTON AND CONTACT BODY -
 0.0005 [.000020] MIN GOLD OVER 0.0025 [.000100] NICKEL.
 SPRING - FLASH 0.0001 [.000004] GOLD.

- ③ DIMENSIONS ESTABLISHED BY CUSTOMER.
- ④ PRELIMINARY PART - NOT RELEASED FOR PRODUCTION.
- ⑤ PART PACKAGED ON TAPE/REEL.

<small>THIS DRAWING IS A CONTROLLED DOCUMENT FOR TYCO ELECTRONICS CORPORATION IT IS SUBJECT TO CHANGE AND THE CONTROLLING ENGINEERING ORGANIZATION SHOULD BE CONTACTED FOR THE LATEST REVISION.</small>		DWN 13JUN2007 R BROWN CHK 13JUN2007 M MILLER APVD 13JUN2007 M MILLER	AMP Incorporated Harrisburg, PA 17105-3608
DIMENSIONS: mm [INCHES]	TOLERANCES UNLESS OTHERWISE SPECIFIED: 0 PLC ±0.13 1 PLC ±0.13 2 PLC ±0.13 3 PLC ±0.13 4 PLC ±0.13 ANGLES ±°	NAME LOW PROFILE PROBE CONNECTOR SPRING CONTACT, SURFACE MOUNT	RESTRICTED TO -
MATERIAL - FINISH -	PRODUCT SPEC - APPLICATION SPEC - WEIGHT -	SIZE A3 CAGE CODE 00779 DRAWING NO C-1825437	SCALE 1:1 SHEET 2 OF 2 REV A
CUSTOMER DRAWING		CUSTOMER DRAWING	