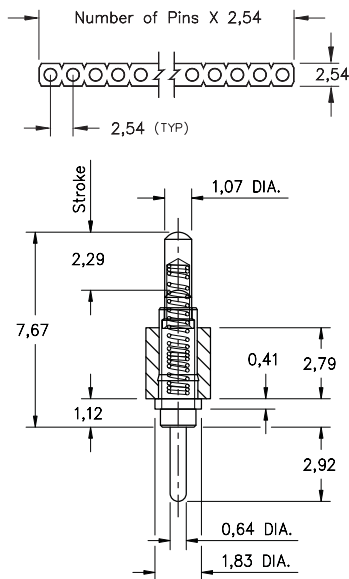


- Modular contacts for use on 2,54 grid, available in a height of 7,67, supplied in single and double row contact strips.
- Precision-machined piston / base and gold plated components assure a 1,000,000 min. cycle life.
- Pistons have a 1,14 mid stroke & 2,29 max stroke.
- Low resistance, high current contacts are rated at 2 amps continuous, 3 amps peak.
- High temperature thermoplastic insulators are suitable for surface mount processes.
- 825 & 827 series contact strips are designed for manual placement into  $\varnothing 0,76 \pm 0.07$  plated-through-holes in the circuit board prior to hand, wave or reflow soldering.



**SINGLE ROW Series 825**



**Ordering Information**

**Fig. 1**

**Single Row Series 825**

825-22-0XX-10-001101

**Specify # of contacts** → 02-64

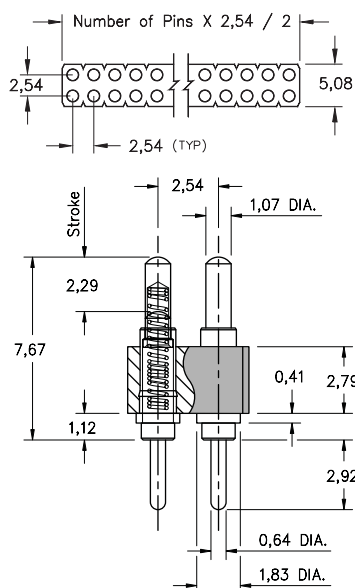
**Fig. 2**

**Double Row Series 827**

827-22-0XX-10-001101

**Specify # of contacts** → 04-72

**DOUBLE ROW Series 827**



**Technical Specifications**

**Materials:**

Contact piston & Base: Machined copper alloy plated 0,51 $\mu$ m gold over 0,25 $\mu$ m nickel  
 Spring: Beryllium copper plated 0,25 $\mu$ m gold  
 Insulator: High temp. thermoplastic rated UL94 V-0

**Mechanical:**

Spring force @ initial height (A): 25 grams  
 Spring force @ mid stroke (B/2): 60 grams  
 Durability: 1,000,000 cycles min.

**Electrical:**

Voltage rating: 100Vrms/150Vdc  
 Current rating: 2A (continuous), 3A (peak) per contact  
 Contact resistance: 20m $\Omega$  max.  
 Insulation resistance: 10,000M $\Omega$  min.  
 Dielectric strength: 700Vrms min.  
 Capacitance: 1pF max.

