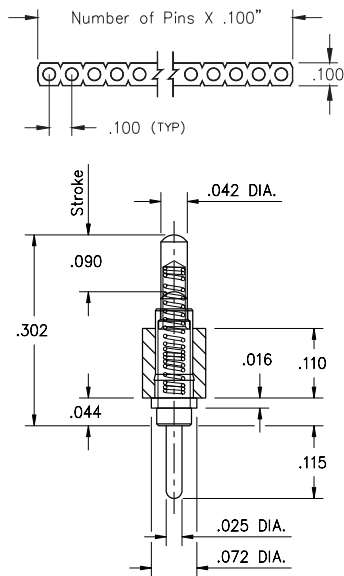


- Modular contacts for use on .100" grid, available in a height of .302", supplied in single and double row contact strips.
- Precision-machined piston / base and gold plated components assure a 1,000,000 min. cycle life.
- Pistons have a .045 mid stroke & .090 max stroke.
- Low resistance, high current contacts are rated at 2 amps continuous, 3 amps peak.
- High temperature thermoplastic insulators are suitable for surface mount processes.
- 825 & 827 series contact strips are designed for manual placement into $\varnothing .030 \pm .003$ " plated-through-holes in the circuit board prior to hand, wave or reflow soldering.



SINGLE ROW Series 825



Ordering Information

Fig. 1

Single Row Series 825

825-22-0XX-10-001101

Specify # of contacts → 02-64

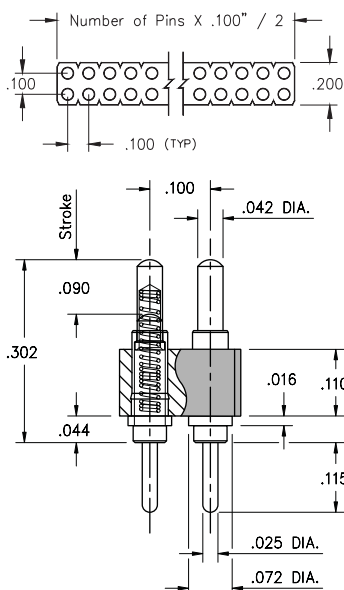
Fig. 2

Double Row Series 827

827-22-0XX-10-001101

Specify # of contacts → 04-72

DOUBLE ROW Series 827



Technical Specifications

Materials:

Contact piston & Base: Machined copper alloy plated 20 μ " gold over 100 μ " nickel
 Spring: Beryllium copper plated 10 μ " gold
 Insulator: High temp. thermoplastic rated UL94 V-0

Mechanical:

Spring force @ initial height (A): 25 grams
 Spring force @ mid stroke (B/2): 60 grams
 Durability: 1,000,000 cycles min.

Electrical:

Voltage rating: 100Vrms/150Vdc
 Current rating: 2A (continuous), 3A (peak) per contact
 Contact resistance: 20m Ω max.
 Insulation resistance: 10,000M Ω min.
 Dielectric strength: 700Vrms min.
 Capacitance: 1pF max.

