



Features

- 1.27 mm pitch
- Precious metal contacts
- Twin hot contacts (symmetrical pad layout)
- Pick & place compatible
- High cycle life
- RoHS compliant* - see [processing information](#) on lead free modular contacts

- For applications/processing guidelines, [click here](#)

70AB/Male - Modular Contact

Materials & Finishes

Insulator....Glass reinforced thermoplastic, UL 94V-0 rated, black
 Contact.....Copper alloy
 Finish
 UnderplatingNickel
 Contact Area.....Gold

Operating Characteristics

Electrical
 Current Rating.....3 A/contact
 Voltage Rating.....60 V
 Contact Resistance ...25 milliohms max.
 Dielectric VoltageAC 500 V
 Insulating Resistance ..1000 Mohms min.
 Operating Temperature
-55 °C to +125 °C

Mechanical
 Normal Force/Finger40 grams min.
 Durability.....5,000 cycles min.

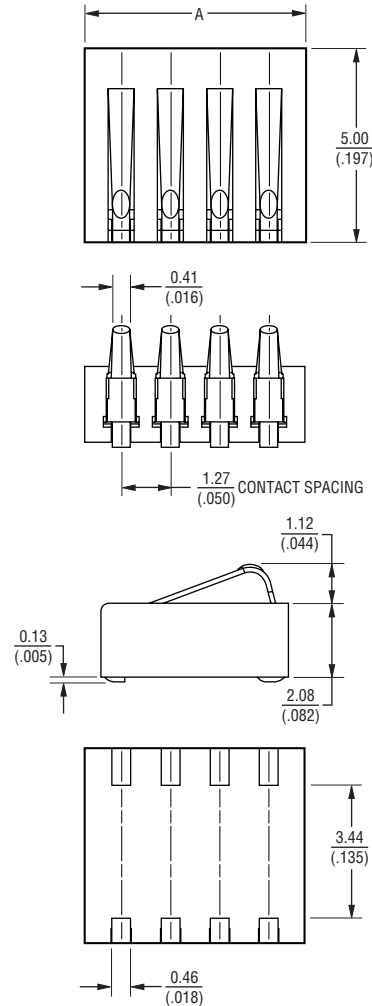
How to Order

70AB J - 4 - M 0 E

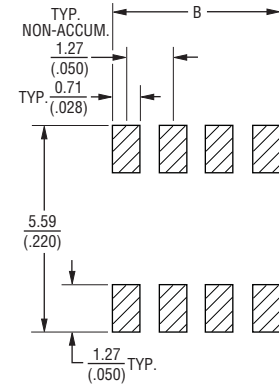
Model _____
 Terminal Style _____
 Number of Contacts (N) _____
 2, 3 or 4
 Gender _____
 M = Male
 Options _____
 0 = Standard
 Packaging Option _____
 E = Embossed Tape (500 pcs. per reel)

Product Dimensions

70ABJ



Recommended PWB Layout



Number of Contacts	Dimension B
2	$\frac{4.52}{(.178)}$
3	$\frac{5.79}{(.288)}$
4	$\frac{7.06}{(.278)}$

TOLERANCES: ± 0.25 UNLESS OTHERWISE NOTED
 (± 0.010)
 DIMENSIONS: $\frac{\text{MM}}{(\text{INCHES})}$

Number of Contacts	Dimension A
2	$\frac{3.12}{(.123)}$
3	$\frac{4.39}{(.173)}$
4	$\frac{5.66}{(.223)}$

*RoHS Directive 2002/95/EC Jan 27, 2003 including Annex.
 Specifications are subject to change without notice.
 Customers should verify actual device performance in their specific applications.

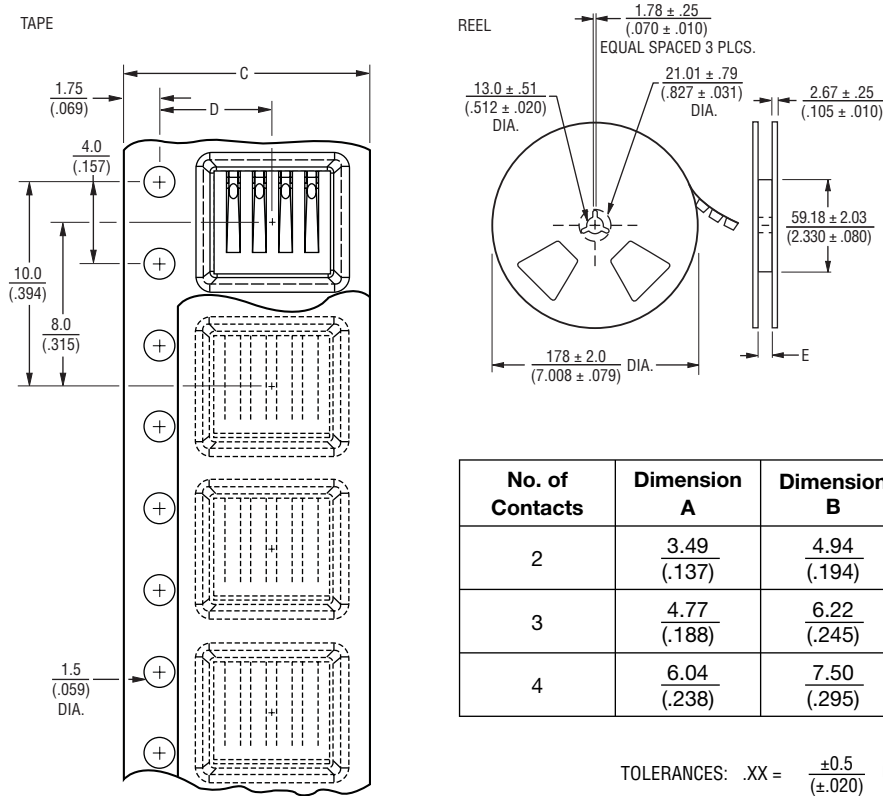
Applications

- Handheld communications - mobile phones, pagers, cordless phones, GPS, PICs, radios
- Portable consumer equipment - PDAs, HPCs, notebook PCs, cameras, dictaphones, PICs, games

70AB/Male - Modular Contact

BOURNS®

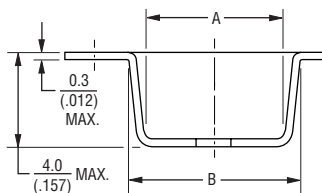
Packaging Specifications



No. of Contacts	Dimension A	Dimension B	Dimension C	Dimension D	Dimension E
2	$\frac{3.49}{(.137)}$	$\frac{4.94}{(.194)}$	$\frac{12.0}{(.472)}$	$\frac{5.5}{(.217)}$	$\frac{12.4}{(.488)}$
3	$\frac{4.77}{(.188)}$	$\frac{6.22}{(.245)}$	$\frac{12.0}{(.472)}$	$\frac{5.5}{(.217)}$	$\frac{12.4}{(.488)}$
4	$\frac{6.04}{(.238)}$	$\frac{7.50}{(.295)}$	$\frac{12.0}{(.472)}$	$\frac{5.5}{(.217)}$	$\frac{12.4}{(.488)}$

TOLERANCES: .XX = $\frac{\pm 0.5}{(\pm .020)}$ UNLESS OTHERWISE NOTED
 .XXX = $\frac{\pm 0.127}{(\pm .005)}$ UNLESS OTHERWISE NOTED

DIMENSIONS: $\frac{\text{MM}}{(\text{INCHES})}$



BOURNS®

Asia-Pacific: Tel: +886-2 2562-4117 • Fax: +886-2 2562-4116

Europe: Tel: +41-41 768 5555 • Fax: +41-41 768 5510

The Americas: Tel: +1-951 781-5500 • Fax: +1-951 781-5700

www.bourns.com

REV. 04/11

Specifications are subject to change without notice.
 Customers should verify actual device performance in their specific applications.