

ENG. NO. SD-8981-4M*

EDP NO. SEE CHART

SIMILAR ITEM

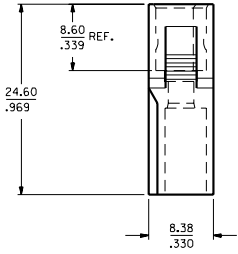
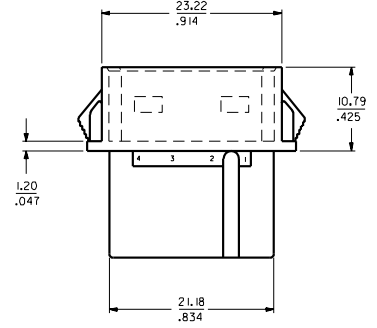
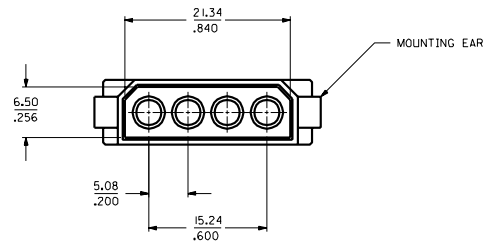
PROJECT NO.

FILENAME: S89814M.DCN

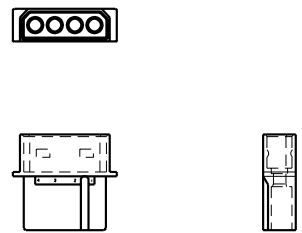
DO NOT SCALE DRAWING

8 7 6 5 4 3 2 1

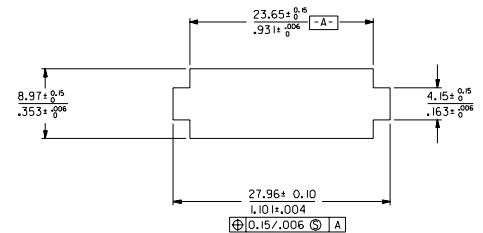
EDP NUMBER	HOUSING NUMBER	MTG EAR	MATERIAL
015-24-4047	E-8981-4M	NO	NYLON 6/6, 94V-2, COLOR : NATURAL
015-24-4061	E-8981-4M2	NO	NYLON 6/6, 94V-0, COLOR : NATURAL
NOT TOOLED	EX-8981-4MB	YES	NYLON 6/6, 94V-0, COLOR : NATURAL
015-24-4046	E-8981-4ME	YES	NYLON 6/6, 94V-2, COLOR : NATURAL



NOTES:
I. THIS HOUSING IS FOR USED WITH TERMINAL PN: 8980-6*



WITHOUT MOUNTING EAR
(SCALE= 1 : 1)



RECOMMENDED PANEL OPENING

DI	REVISED NOTE 1 (S60279)	01	95/12/7	MATERIAL :	REFER TO CHART	MOLEX F.E.M.L South SHEET 1 OF 1
D	REMOVE 'X' PER EDN* S1181	01	90/10/15	FINISH :		
C	ADD OPTION ECM*S0462	01	90/4/25	WIRE RANGE :		GENERAL TOLERANCES ANGLE ± ° DIM ± .25/.010 ENG. NO.: SD-8981-4M* REV D1
B	UPDATE ON CAD - ERO*110	01	15/12	INS. RANGE :		
A	ADD EDP NO PER ERO*72	01	29/10	DRAWN BY TAY	CHK'D BY AT	TITLE : 4 CIRCUIT HEADER
4	ADD MTG EAR PER ERO*100	01	11/2	15/12/87	16/12/87	
3	CHANGES PER ERO* 015	01	5/1	APPR'D BY AB	SCALE 2 : 1	
2	REL PER ERO*029	01	6/10	16/12/87		
1	X-REL PER ERO*22/73	01	5/4/86			
LTR	REVISION RECORD	DR	DATE			
		CHK				

THIS DRAWING CONTAINS INFORMATION THAT IS PROPRIETARY TO MOLEX (F.E.M.L) AND SHOULD NOT BE USED WITHOUT WRITTEN PERMISSION F.E.M.L, So - 23