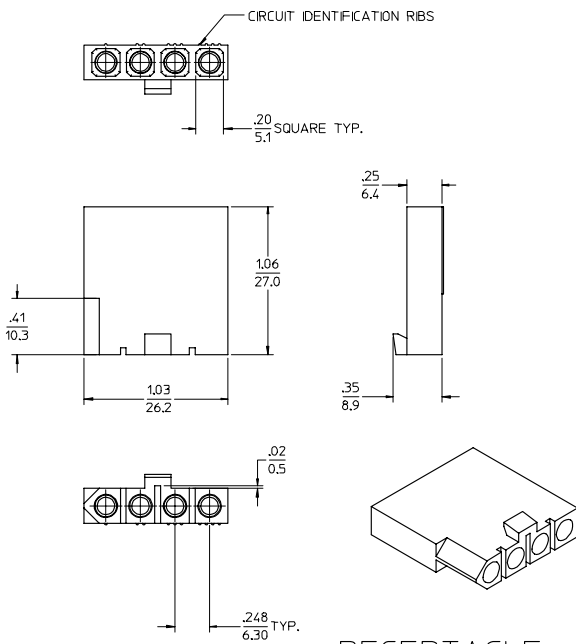


RECEPTACLE

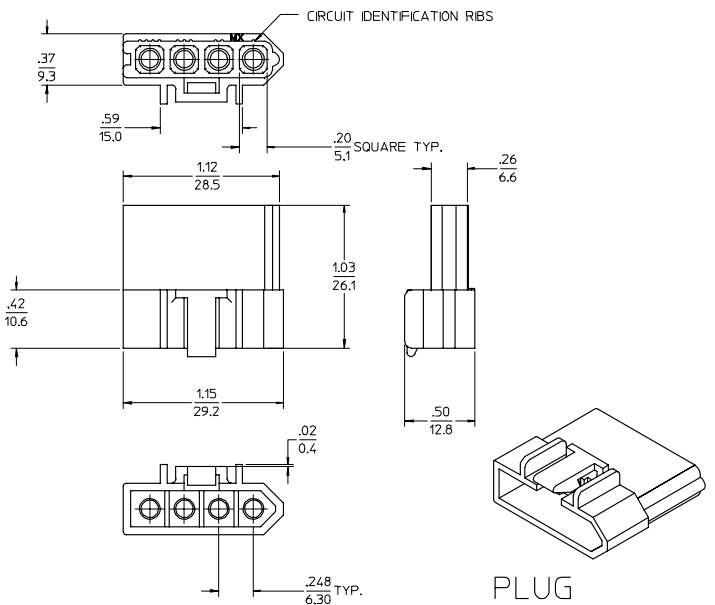
PLUG

ORDER NO.	ENG. NO.	ORDER NO.	ENG. NO.
03-09-1047	1816-4R	03-09-2048	1816-4P

- NOTES:
1. NYLON, UL94V-2
 2. FINISH: N/A
 3. PRODUCT SPECIFICATION: PS-02-09
 4. PACKAGING SPECIFICATION: N/A



RECEPTACLE



PLUG

REDRAWN IN CAD EC NO. UCP2006-2209 DRAWN BY ORDER 2006/06/12 CHECKED BY 2006/06/13 APPROVED BY 2006/06/14	QUALITY SYMBOLS	GENERAL TOLERANCES (UNLESS SPECIFIED)	DIMENSION STYLE IN/MM	SCALE 2:1	DESIGN UNITS INCH	THIRD ANGLE PROJECTION
	▽=0	4 PLACES ± .005 ± .010	DRAWN BY DATE	TITLE		
	▽=0	3 PLACES ± .013 ± .025	CHECKED BY DATE	.093/(2.36) HOUSINGS PLUG & RECEPTACLE 4 CKT. .248/(6.30) CTRS.		
	▽=0	2 PLACES ± .025 ± .050	APPROVED BY DATE	MOLEX INCORPORATED		
REV	DESCRIPTION	ANGULAR ±1/2°	MATERIAL NO.	DOCUMENT NO.	SHEET NO.	
		DRAFT WHERE APPLICABLE MUST REMAIN WITHIN DIMENSIONS	SEE CHART	SD-1816-4	1 OF 1	
			THIS DRAWING CONTAINS INFORMATION THAT IS PROPRIETARY TO MOLEX INCORPORATED AND SHOULD NOT BE USED WITHOUT WRITTEN PERMISSION			