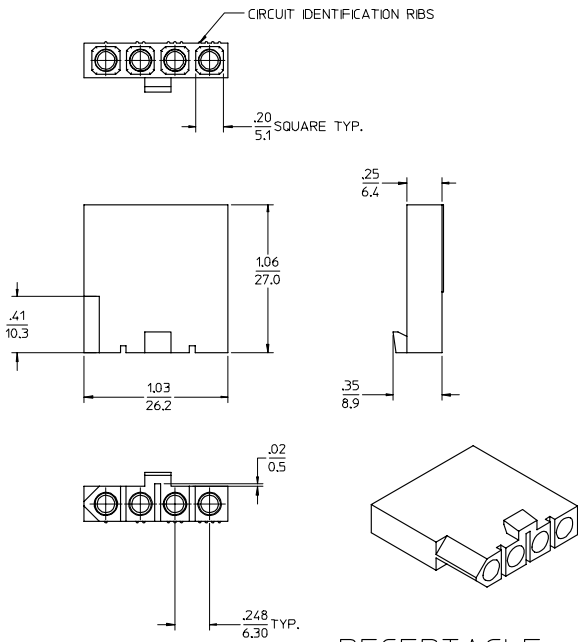


RECEPTACLE

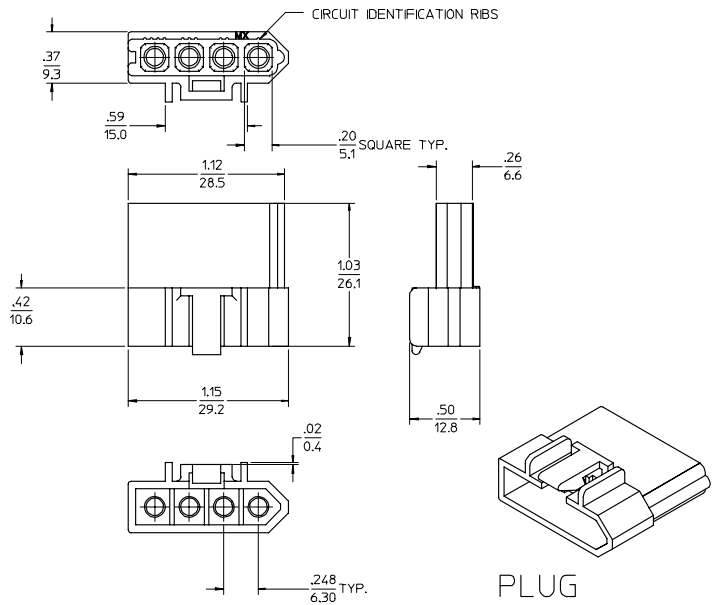
PLUG

ORDER NO.	ENG. NO.	ORDER NO.	ENG. NO.
03-09-1047	1816-4R	03-09-2048	1816-4P

- NOTES:
1. NYLON, UL94V-2
 2. FINISH: N/A
 3. PRODUCT SPECIFICATION: PS-02-09
 4. PACKAGING SPECIFICATION: N/A



RECEPTACLE



PLUG

REDRAWN IN CAD EC NO. UCP2006-2209 DRAWN BY ORDER 2006/06/12 CHECKED BY 2006/06/13 APPROVED BY 2006/06/14	QUALITY SYMBOLS	GENERAL TOLERANCES (UNLESS SPECIFIED) 4 PLACES ± .005 3 PLACES ± .010 2 PLACES ± .013 1 PLACE ± 0.25 ANGULAR ± 1/2°	DIMENSION STYLE	SCALE	DESIGN UNITS	THIRD ANGLE PROJECTION
	▽=0		IN/MM	2:1	INCH	☉
	▽=0		DRAWN BY	DATE	TITLE	
	▽=0		BBM	1968/01/04	.093/(2.36) HOUSINGS PLUG & RECEPTACLE 4 CKT. .248/(6.30) CTRS.	
REV	DESCRIPTION		CHECKED BY	DATE	APPROVED BY	DATE
			MATERIAL NO.	DOCUMENT NO.	SHEET NO.	
			SEE CHART	SD-1816-4	1 OF 1	
			THIS DRAWING CONTAINS INFORMATION THAT IS PROPRIETARY TO MOLEX INCORPORATED AND SHOULD NOT BE USED WITHOUT WRITTEN PERMISSION			