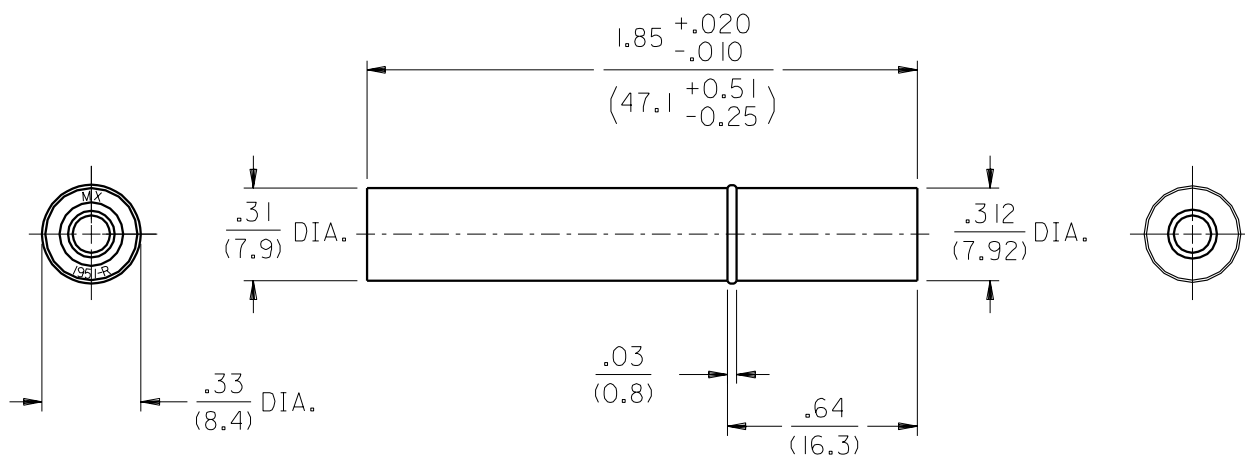


6 5 4 3 2 1951



NOTES:

1. MATERIAL: NYLON 6/6, U.L. 94V-2
2. HOUSINGS FOR USE WITH MOLEX .093/(2.36) SERIES PIN AND SOCKET TERMINALS.
3. PART MATES TO 1951-P (03-09-2014).

				DIMENSIONS SHOWN (METRIC) INCH		▽ = 0_ ▼ = 0_		REVISE ONLY ON CAD SYSTEM													
				UNLESS OTHERWISE SPECIFIED TOLERANCES: ANGULAR ± 1/2°		TITLE															
				<table border="1"> <thead> <tr> <th></th> <th>INCH</th> <th>METRIC</th> </tr> </thead> <tbody> <tr> <td>3 PLACE</td> <td>± .01</td> <td>---</td> </tr> <tr> <td>2 PLACE</td> <td>± .014</td> <td>± 0.25</td> </tr> <tr> <td>1 PLACE</td> <td>---</td> <td>± 0.35</td> </tr> </tbody> </table>			INCH	METRIC	3 PLACE	± .01	---	2 PLACE	± .014	± 0.25	1 PLACE	---	± 0.35	<p>---.093/(2.36) SERIES PLUG HOUSING, 1 CIRCUIT---</p>			
	INCH	METRIC																			
3 PLACE	± .01	---																			
2 PLACE	± .014	± 0.25																			
1 PLACE	---	± 0.35																			
				DRAFT WHERE APPLICABLE MUST REMAIN WITHIN DIMENSIONS		MOLEX INCORPORATED LISLE, ILL. 60532 U.S.A.		SHEET NO. _____ DATE 1/30/96													
				DRWG. BY CM CHK'D. BY RW APP'D. BY RAS SCALE 2:1		PART NO. 03-09-1014 DRWG. NO. SD-1951-R															
				FILE NAME S1951RX1.DGN		THIS DRAWING CONTAINS INFORMATION THAT IS PROPRIETARY TO MOLEX INC. AND SHOULD NOT BE USED WITHOUT WRITTEN PERMISSION.		DIV. CP SIZE A													
LTR.	REVISIONS	LTR.	REVISIONS	6	5	4	3	2	NO P. S. I												