

THIS DRAWING IS UNPUBLISHED.  
 © COPYRIGHT 19 BY AMP INCORPORATED. ALL RIGHTS RESERVED.

LOC	DIST	REVISIONS					
AD	39	F	LN	DESCRIPTION	DATE	BY	APPD
		P	REV PER	0010-0004-95	22-JUN-95	EB	SAS
		R	REV PER	0010-0843-95	22-JUN-95	EB	SAS
		S	SUPD	-33 PER 0010-0659-96	11DEC96	JH	J5
		T	REV PER	0310-0483-97	02JAN98	BH	BS

REVISION	ALL	63.63 [2.505]	30.48 [1.200]	30.48 [1.200]	25	4-87499-7
OBSOLETE	-	61.09 [2.405]	27.94 [1.100]	30.48 [1.200]	24	4-87499-6
OBSOLETE	ALL	61.09 [2.405]	27.94 [1.100]	30.48 [1.200]	24	4-87499-5
OBSOLETE	-	58.55 [2.305]	27.94 [1.100]	27.94 [1.100]	23	4-87499-4
OBSOLETE	ALL	58.55 [2.305]	27.94 [1.100]	27.94 [1.100]	23	4-87499-3
SUPERSEDED BY 4-87499-2	ALL	56.01 [2.205]	25.40 [1.000]	27.94 [1.100]	22	4-87499-2
OBSOLETE	-	53.47 [2.105]	25.40 [1.000]	25.40 [1.000]	21	4-87499-0
OBSOLETE	ALL	53.47 [2.105]	25.40 [1.000]	25.40 [1.000]	21	3-87499-9
OBSOLETE	-	50.93 [2.005]	22.86 [0.900]	25.40 [1.000]	20	3-87499-8
OBSOLETE	ALL	50.93 [2.005]	22.86 [0.900]	25.40 [1.000]	20	3-87499-7
OBSOLETE	-	48.39 [1.905]	22.86 [0.900]	22.86 [0.900]	19	3-87499-6
OBSOLETE	ALL	48.39 [1.905]	22.86 [0.900]	22.86 [0.900]	19	3-87499-5
SUPERSEDED BY 3-87499-4	ALL	45.85 [1.805]	20.32 [0.800]	22.86 [0.900]	18	3-87499-3
OBSOLETE	-	43.31 [1.705]	20.32 [0.800]	20.32 [0.800]	17	3-87499-2
OBSOLETE	ALL	43.31 [1.705]	20.32 [0.800]	20.32 [0.800]	17	3-87499-1
OBSOLETE	-	40.77 [1.605]	17.78 [0.700]	20.32 [0.800]	16	3-87499-0
OBSOLETE	ALL	40.77 [1.605]	17.78 [0.700]	20.32 [0.800]	16	2-87499-9
OBSOLETE	-	38.23 [1.505]	17.78 [0.700]	17.78 [0.700]	15	2-87499-8
OBSOLETE	ALL	38.23 [1.505]	17.78 [0.700]	17.78 [0.700]	15	2-87499-7
OBSOLETE	-	35.69 [1.405]	15.24 [0.600]	17.78 [0.700]	14	2-87499-6
OBSOLETE	ALL	35.69 [1.405]	15.24 [0.600]	17.78 [0.700]	14	2-87499-5
OBSOLETE	-	33.15 [1.305]	15.24 [0.600]	15.24 [0.600]	13	2-87499-4
OBSOLETE	ALL	33.15 [1.305]	15.24 [0.600]	15.24 [0.600]	13	2-87499-3
OBSOLETE	-	30.61 [1.205]	12.70 [0.500]	15.24 [0.600]	12	2-87499-2
OBSOLETE	ALL	30.61 [1.205]	12.70 [0.500]	15.24 [0.600]	12	2-87499-1
OBSOLETE	-	28.07 [1.105]	12.70 [0.500]	12.70 [0.500]	11	2-87499-0
OBSOLETE	ALL	28.07 [1.105]	12.70 [0.500]	12.70 [0.500]	11	1-87499-9
OBSOLETE	-	25.53 [1.005]	10.16 [0.400]	12.70 [0.500]	10	1-87499-8
OBSOLETE	ALL	25.53 [1.005]	10.16 [0.400]	12.70 [0.500]	10	1-87499-7
OBSOLETE	-	22.99 [0.905]	10.16 [0.400]	10.16 [0.400]	9	1-87499-6
OBSOLETE	ALL	22.99 [0.905]	10.16 [0.400]	10.16 [0.400]	9	1-87499-5
OBSOLETE	-	20.45 [0.805]	7.62 [0.300]	10.16 [0.400]	8	1-87499-4
OBSOLETE	ALL	20.45 [0.805]	7.62 [0.300]	10.16 [0.400]	8	1-87499-3
OBSOLETE	-	17.91 [0.705]	7.62 [0.300]	7.62 [0.300]	7	1-87499-2
OBSOLETE	ALL	17.91 [0.705]	7.62 [0.300]	7.62 [0.300]	7	1-87499-1
OBSOLETE	-	15.37 [0.605]	5.08 [0.200]	7.62 [0.300]	6	1-87499-0
OBSOLETE	ALL	15.37 [0.605]	5.08 [0.200]	7.62 [0.300]	6	0-87499-9
OBSOLETE	-	12.83 [0.505]	5.08 [0.200]	5.08 [0.200]	5	0-87499-8
OBSOLETE	ALL	12.83 [0.505]	5.08 [0.200]	5.08 [0.200]	5	0-87499-7
OBSOLETE	-	10.29 [0.405]	2.54 [0.100]	5.08 [0.200]	4	0-87499-6
OBSOLETE	ALL	10.29 [0.405]	2.54 [0.100]	5.08 [0.200]	4	0-87499-5
OBSOLETE	-	7.75 [0.305]	2.54 [0.100]	2.54 [0.100]	3	0-87499-4
OBSOLETE	ALL	7.75 [0.305]	2.54 [0.100]	2.54 [0.100]	3	0-87499-3
OBSOLETE	-	5.21 [0.205]	-	2.54 [0.100]	2	0-87499-2
OBSOLETE	ALL	5.21 [0.205]	-	2.54 [0.100]	2	0-87499-1
SUPERSEDED BY 7-87499-2	ALL	2.67 [0.105]	-	-	1	7-87499-0
OBSOLETE	-	91.57 [3.605]	43.18 [1.700]	45.72 [1.800]	36	7-87499-0
OBSOLETE	ALL	91.57 [3.605]	43.18 [1.700]	45.72 [1.800]	36	6-87499-9
OBSOLETE	-	89.03 [3.505]	43.18 [1.700]	43.18 [1.700]	35	6-87499-8
OBSOLETE	ALL	89.03 [3.505]	43.18 [1.700]	43.18 [1.700]	35	6-87499-7
OBSOLETE	-	86.49 [3.405]	40.64 [1.600]	43.18 [1.700]	34	6-87499-6
OBSOLETE	ALL	86.49 [3.405]	40.64 [1.600]	43.18 [1.700]	34	6-87499-5
OBSOLETE	-	83.95 [3.305]	40.64 [1.600]	40.64 [1.600]	33	6-87499-4
OBSOLETE	ALL	83.95 [3.305]	40.64 [1.600]	40.64 [1.600]	33	6-87499-3
OBSOLETE	-	81.41 [3.205]	38.10 [1.500]	40.64 [1.600]	32	6-87499-2
OBSOLETE	ALL	81.41 [3.205]	38.10 [1.500]	40.64 [1.600]	32	6-87499-1
OBSOLETE	-	78.87 [3.105]	38.10 [1.500]	38.10 [1.500]	31	6-87499-0
OBSOLETE	ALL	78.87 [3.105]	38.10 [1.500]	38.10 [1.500]	31	5-87499-9
OBSOLETE	-	76.33 [3.005]	35.56 [1.400]	38.10 [1.500]	30	5-87499-8
OBSOLETE	ALL	76.33 [3.005]	35.56 [1.400]	38.10 [1.500]	30	5-87499-7
OBSOLETE	-	73.79 [2.905]	35.56 [1.400]	35.56 [1.400]	29	5-87499-6
OBSOLETE	ALL	73.79 [2.905]	35.56 [1.400]	35.56 [1.400]	29	5-87499-5
OBSOLETE	-	71.25 [2.805]	33.02 [1.300]	35.56 [1.400]	28	5-87499-4
OBSOLETE	ALL	71.25 [2.805]	33.02 [1.300]	35.56 [1.400]	28	5-87499-3
OBSOLETE	-	68.71 [2.705]	33.02 [1.300]	33.02 [1.300]	27	5-87499-2
OBSOLETE	ALL	68.71 [2.705]	33.02 [1.300]	33.02 [1.300]	27	5-87499-1
OBSOLETE	-	66.17 [2.605]	30.48 [1.200]	33.02 [1.300]	26	5-87499-0
OBSOLETE	ALL	66.17 [2.605]	30.48 [1.200]	33.02 [1.300]	26	4-87499-9
OBSOLETE	-	63.63 [2.505]	30.48 [1.200]	30.48 [1.200]	25	4-87499-8

MARKING	C	B	A	NO OF POSN	PART NUMBER	
OBSOLETE	-	63.63 [2.505]	30.48 [1.200]	30.48 [1.200]	25	4-87499-7
OBSOLETE	ALL	61.09 [2.405]	27.94 [1.100]	30.48 [1.200]	24	4-87499-6
OBSOLETE	-	58.55 [2.305]	27.94 [1.100]	27.94 [1.100]	23	4-87499-4
OBSOLETE	ALL	58.55 [2.305]	27.94 [1.100]	27.94 [1.100]	23	4-87499-3
SUPERSEDED BY 4-87499-2	ALL	56.01 [2.205]	25.40 [1.000]	27.94 [1.100]	22	4-87499-1
OBSOLETE	-	53.47 [2.105]	25.40 [1.000]	25.40 [1.000]	21	4-87499-0
OBSOLETE	ALL	53.47 [2.105]	25.40 [1.000]	25.40 [1.000]	21	3-87499-9
OBSOLETE	-	50.93 [2.005]	22.86 [0.900]	25.40 [1.000]	20	3-87499-8
OBSOLETE	ALL	50.93 [2.005]	22.86 [0.900]	25.40 [1.000]	20	3-87499-7
OBSOLETE	-	48.39 [1.905]	22.86 [0.900]	22.86 [0.900]	19	3-87499-6
OBSOLETE	ALL	48.39 [1.905]	22.86 [0.900]	22.86 [0.900]	19	3-87499-5
SUPERSEDED BY 3-87499-4	ALL	45.85 [1.805]	20.32 [0.800]	22.86 [0.900]	18	3-87499-3
OBSOLETE	-	43.31 [1.705]	20.32 [0.800]	20.32 [0.800]	17	3-87499-2
OBSOLETE	ALL	43.31 [1.705]	20.32 [0.800]	20.32 [0.800]	17	3-87499-1
OBSOLETE	-	40.77 [1.605]	17.78 [0.700]	20.32 [0.800]	16	3-87499-0
OBSOLETE	ALL	40.77 [1.605]	17.78 [0.700]	20.32 [0.800]	16	2-87499-9
OBSOLETE	-	38.23 [1.505]	17.78 [0.700]	17.78 [0.700]	15	2-87499-8
OBSOLETE	ALL	38.23 [1.505]	17.78 [0.700]	17.78 [0.700]	15	2-87499-7
OBSOLETE	-	35.69 [1.405]	15.24 [0.600]	17.78 [0.700]	14	2-87499-6
OBSOLETE	ALL	35.69 [1.405]	15.24 [0.600]	17.78 [0.700]	14	2-87499-5
OBSOLETE	-	33.15 [1.305]	15.24 [0.600]	15.24 [0.600]	13	2-87499-4
OBSOLETE	ALL	33.15 [1.305]	15.24 [0.600]	15.24 [0.600]	13	2-87499-3
OBSOLETE	-	30.61 [1.205]	12.70 [0.500]	15.24 [0.600]	12	2-87499-2
OBSOLETE	ALL	30.61 [1.205]	12.70 [0.500]	15.24 [0.600]	12	2-87499-1
OBSOLETE	-	28.07 [1.105]	12.70 [0.500]	12.70 [0.500]	11	2-87499-0
OBSOLETE	ALL	28.07 [1.105]	12.70 [0.500]	12.70 [0.500]	11	1-87499-9
OBSOLETE	-	25.53 [1.005]	10.16 [0.400]	12.70 [0.500]	10	1-87499-8
OBSOLETE	ALL	25.53 [1.005]	10.16 [0.400]	12.70 [0.500]	10	1-87499-7
OBSOLETE	-	22.99 [0.905]	10.16 [0.400]	10.16 [0.400]	9	1-87499-6
OBSOLETE	ALL	22.99 [0.905]	10.16 [0.400]	10.16 [0.400]	9	1-87499-5
OBSOLETE	-	20.45 [0.805]	7.62 [0.300]	10.16 [0.400]	8	1-87499-4
OBSOLETE	ALL	20.45 [0.805]	7.62 [0.300]	10.16 [0.400]	8	1-87499-3
OBSOLETE	-	17.91 [0.705]	7.62 [0.300]	7.62 [0.300]	7	1-87499-2
OBSOLETE	ALL	17.91 [0.705]	7.62 [0.300]	7.62 [0.300]	7	1-87499-1

THE USER IS RESPONSIBLE FOR DETERMINING WHETHER THIS DRAWING IS APPLICABLE TO THE APPLICATION BEING USED.		DIMENSIONS: mm (INCH)	DIMENSIONS UNLESS SPECIFIED: 0 PLC ±.010 1 PLC ±.015 (0.05) 2 PLC ±.020 3 PLC ±.025 4 PLC ±.030 ANGLES ±.5°	FINISH: -	DATE: 21-JUN-95 BY: E. BRANDBERG CK: S. SHULEY APPD: D. DUPLER PRODUCT SPEC: - APPLICATION SPEC: - WEIGHT: -	<b>AMP</b> Incorporated Harrisburg, PA 17105-3608	HOUSING, MOD IV, SINGLE ROW, .1000, CRIMP SNAP-IN	SIZE: A2 CASE CODE: 00779 DRAWING NO: 87499
MATERIAL: FLAME RETARDANT THERMOPLASTIC COLOR: BLACK				CUSTOMER DRAWING	SCALE: 4:1 SHEET: 1 OF 2 REV: T			

4

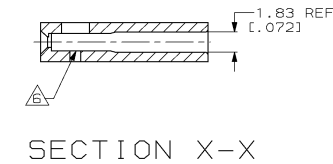
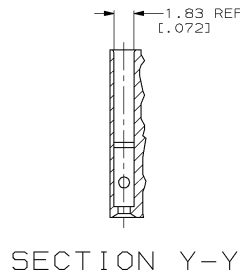
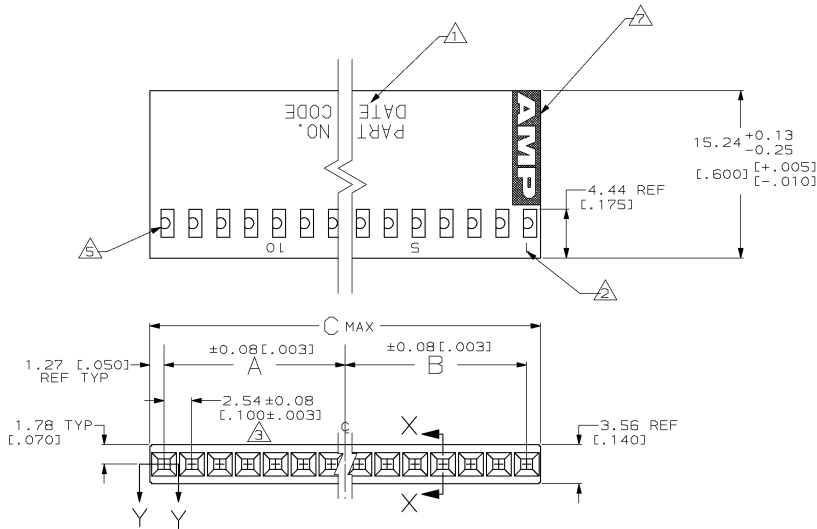
3

2

1

THIS DRAWING IS UNPUBLISHED. RELEASED FOR PUBLICATION BY AMP INCORPORATED. ALL RIGHTS RESERVED.

LOC	DIST	REVISIONS					
AD	39	F	LIN	DESCRIPTION	DATE	OWN	APPD
		-		SEE SHEET 1	-	-	-



- ① PART NO & DATE CODE MARKED (WHITE), .062±.015 HIGH CHARS. IN APPROX. AREA SHOWN WHEN HOUSING SIZE PERMITS.
- ② CAVITY IDENT. MARKED (WHITE), .046±.015 HIGH CHARS., FIRST & EVERY FIFTH CAVITY, ONE SIDE AS SHOWN.
- ③ TOLERANCE NON-CUMULATIVE.
- 4. USE EXTRACTION TOOL 91052-1 TO REMOVE RECEPTACLE CONTACTS.
- ⑤ OPTIONAL FOR SUBSIDIARY ONLY.
- ⑥ FLASH ALLOWED TO BE .015 IN THIS AREA.
- ⑦ AMP LOGO MOLDED IN TEXTURED AREA AS SHOWN.

<small>THIS DRAWING IS UNPUBLISHED. RELEASED FOR PUBLICATION BY AMP INCORPORATED. ALL RIGHTS RESERVED.</small>		DWN E. BRANDBERG 21-JAN-95 CKD S. SHUELY 21-JAN-95 APP'D D. DUPLER 21-JAN-95	<b>AMP</b> AMP Incorporated Harrisburg, PA 17105-3608
DIMENSIONS: mm (INCH)	DIMENSIONS SPECIFIED: B PLG ±- D PLG ±- D PLG ±0.13(.005) D PLG ±- H PLG ±- ANGLES ±-	PRODUCT SPEC: APPLICATION SPEC: WEIGHT:	NAME: <b>HOUSING, MOD IV, SINGLE ROW, .1000, CRIMP SNAP-IN</b> SIZE: A2 CASE CODE: 00779 DRAWING NO: C-87499
MATERIAL: FLAME RETARDANT THERMOPLASTIC COLOR: BLACK	FINISH:	CUSTOMER DRAWING	SCALE: 4:1 SHEET: 2 OF 2 REV: T

B7499