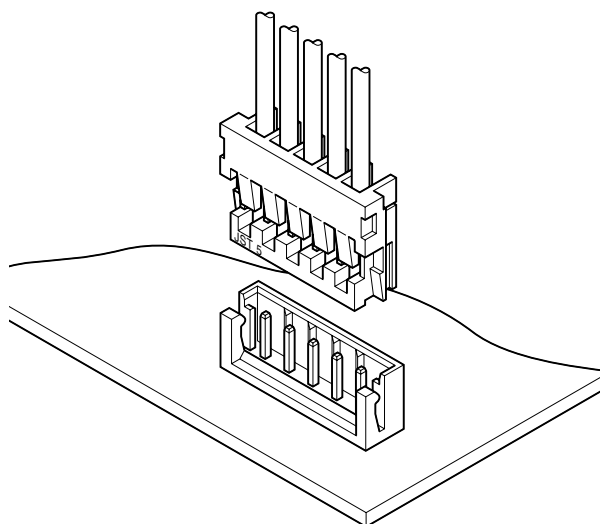
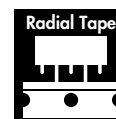


# HR CONNECTOR

2.5mm pitch/Disconnectable Crimp style connectors



- Thin design
- High reliability
- Interchangeability

## Specifications

- Current rating: 3A AC, DC (AWG #22)
- Voltage rating: 250V AC, DC
- Temperature range: -25°C to +85°C  
(including temperature rise in applying electrical current)
- Contact resistance: Initial value/10m Ω max.  
After environmental testing/20m Ω max.
- Insulation resistance: 1,000M Ω min.
- Withstanding voltage: 1,000V AC/minute
- Applicable wire: AWG #26 to #22
- Applicable PC board thickness: 0.8 to 1.6mm
- \* Compliant with RoHS.
- \* Refer to "General Instruction and Notice when using Terminals and Connectors" at the end of this catalog.
- \* Contact JST for details.

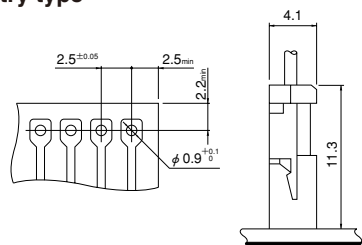
## Standards

Recognized E60389

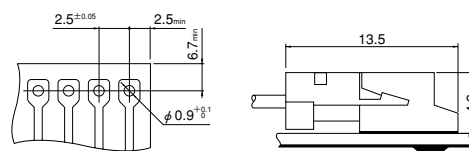
Certified LR20812

## PC board layout (viewed from soldering side) and Assembly layout

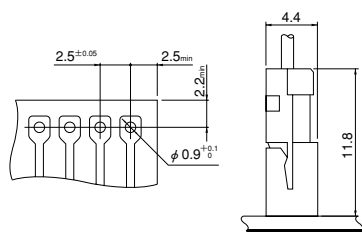
### Top entry type



### Side entry type



### Top entry type on radial-tape

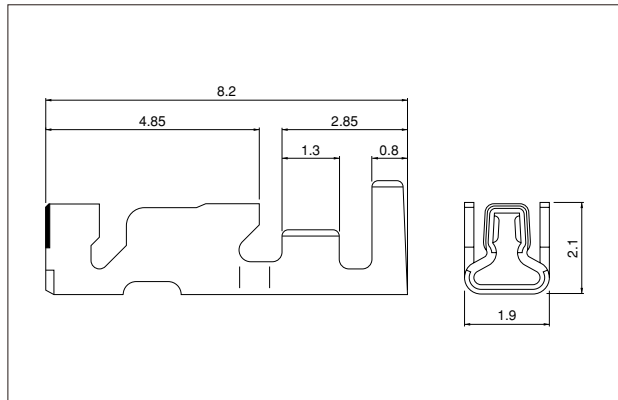


Note: 1. Tolerances are non-cumulative: ±0.05mm for all centers.

2. Hole dimension differ according to the kind of PC board and piercing method. If PC boards made of hard material are used, the hole dimensions should be larger. The dimensions above should serve as a guideline. Contact JST for details.

# HR CONNECTOR

## Contact



Model No.	Applicable wire		Insulation O.D. (mm)	Q'ty / reel
	mm <sup>2</sup>	AWG #		
<b>SHR-001T-P0.6</b>	0.13~0.33	26~22	1.3~1.7	9,000

### Material and Finish

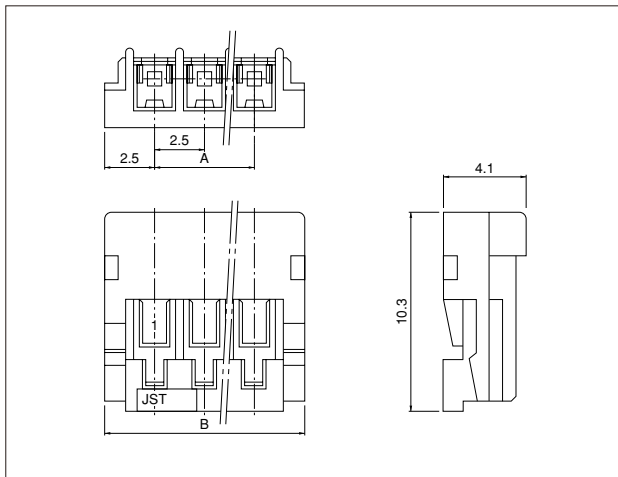
Phosphor bronze, tin-plated (reflow treatment)

### RoHS compliance

Contact	Crimping machine	Applicator		
		Crimp applicator	Dies	Crimp applicator with dies
<b>SHR-001T-P0.6</b>	AP-K2N	MKS-L	MK/SHR/MR-001-06	APLMK SHR/MR001-06
		*MKS-SC	SC/SHR/MR-001-06	APLSC SHR/MR001-06

Note: \*Strip-crimp applicator

## Housing



Circuits	Model No.	Dimensions (mm)		Q'ty / bag
		A	B	
2	<b>HRP-02-S</b>	2.5	7.5	2,000
3	<b>HRP-03-S</b>	5.0	10.0	2,000
4	<b>HRP-04-S</b>	7.5	12.5	1,000
5	<b>HRP-05-S</b>	10.0	15.0	1,000
6	<b>HRP-06-S</b>	12.5	17.5	1,000
7	<b>HRP-07-S</b>	15.0	20.0	500
8	<b>HRP-08-S</b>	17.5	22.5	500
9	<b>HRP-09-S</b>	20.0	25.0	500
10	<b>HRP-10-S</b>	22.5	27.5	500
11	<b>HRP-11-S</b>	25.0	30.0	500
12	<b>HRP-12-S</b>	27.5	32.5	500
13	<b>HRP-13-S</b>	30.0	35.0	250

### Material

PA 66, UL94V-0, natural (white)

### RoHS compliance

<For reference> As the color identification, the following alphabet shall be put in the underlined part. For availability, delivery and minimum order quantity, contact JST.

ex. **HRP-02-S**

S...natural (white)

K...black R...red TR...tomato red E...blue

L...lemon yellow M...green N...brown O...orange P...purple

PK...pink LE...light blue Y...yellow FY...vivid yellow H...gray

## Shrouded header

The shrouded headers are interchangeable with those of the EH crimp style and HR insulation displacement connectors.