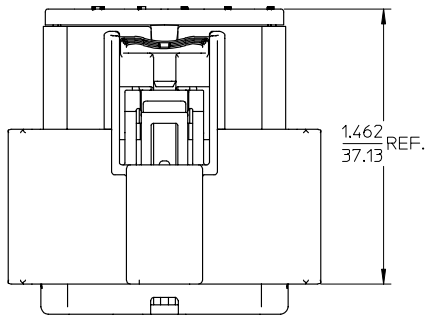
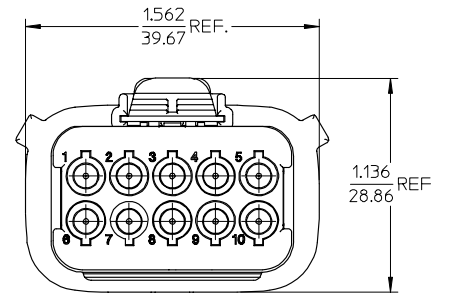
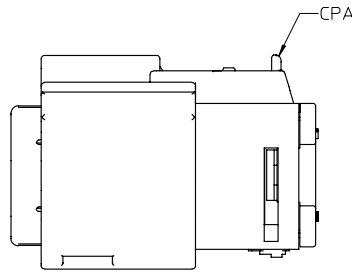
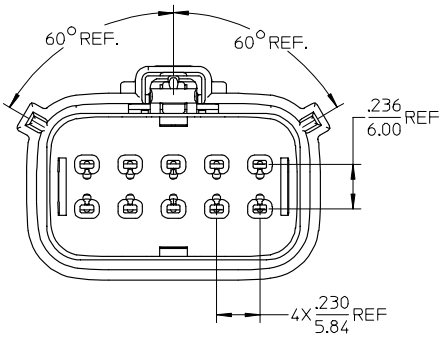
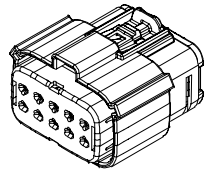


10 9 8 7 6 5 4 3 2 19418



19418-0025	16-14	NO
19418-0024	22-18	
19418-0013	16-14	YES
19418-0014	22-18	
MATERIAL NUMBER	UL WIRE AWG	CPA



NOTES:

1. MATERIALS:
HOUSING: POLYESTER (PBT), GLASS FILLED, UL94 V-0, COLOR: BLACK.
SEALS: SILICONE RUBBER.
2. PRODUCT SPECIFICATION: PS-19417-001.
3. PACKAGING SPECIFICATION: PK-19418-001.
4. MATES WITH: 19419 SERIES PLUG ASSEMBLIES.
5. USE CONNECTOR WITH FEMALE CRIMP TERMINAL SERIES 19420.

REVISED EC NO: ETC2006-0164 DRAWN: PAUL ICK 2006/01/12 CHKD: PAUL ICK 2006/01/12 APPROVED: RDEROSS 2006/01/13 B1	QUALITY SYMBOLS	GENERAL TOLERANCES (UNLESS SPECIFIED)		DIMENSION STYLE IN/MM		SCALE 2:1	DESIGN UNITS INCH	THIRD ANGLE PROJECTION
	▽=0 ▽=0	mm	INCH	DRAWN BY BRUPERT	DATE 01/22/03	TITLE 10 WAY RECEPTACLE ASSEMBLY, KEY A POLARIZATION		
		4 PLACES ± --- ± ---	3 PLACES ± --- ± .015	CHECKED BY JPAWLICKI	DATE 01/23/03	MOLEX INCORPORATED		
		2 PLACES ± 0.38 ± ---	1 PLACE ± --- ± ---	APPROVED BY RDEROSS	DATE 01/25/03	DOCUMENT NO. SD-19418-005		
	ANGULAR ± 1 °		MATERIAL NO.		SHEET NO.		1 OF 1	
	DRAFT WHERE APPLICABLE MUST REMAIN WITHIN DIMENSIONS		SEE CHART		THIS DRAWING CONTAINS INFORMATION THAT IS PROPRIETARY TO MOLEX INCORPORATED AND SHOULD NOT BE USED WITHOUT WRITTEN PERMISSION			

9 8 7 6 5 4 3 2 1