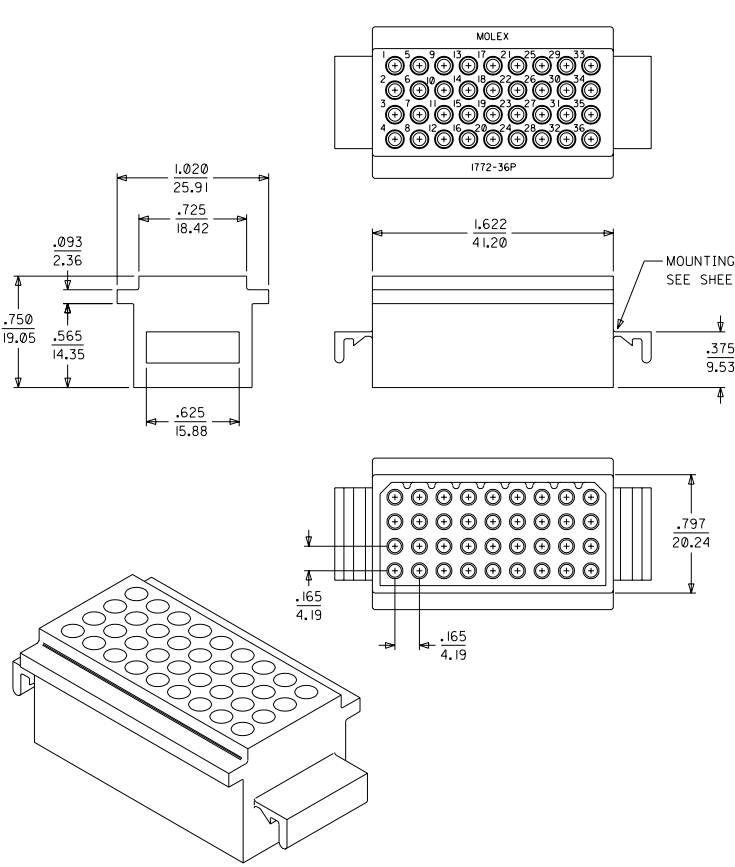
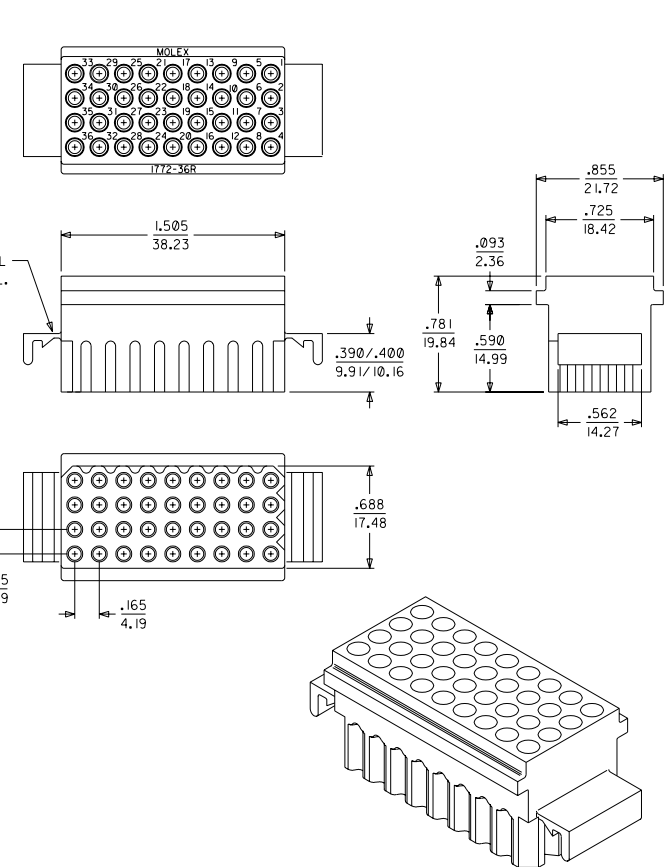


13 12 11 10 9 8 7 6 5 4 3 2 1772



PLUG

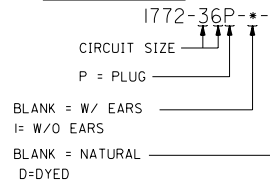


RECEPTACLE

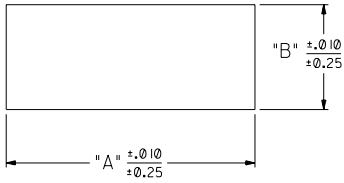
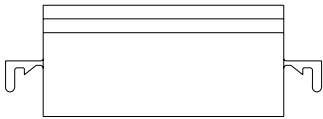
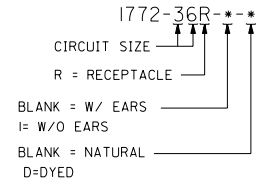
CORRECT LEGENDS ADD PANEL/DIMS EC NO. LCP2004--0895 DRWN: ELHAG 11/10/03 CHK: ELHAG 11/10/03 APPR: F SMITH 11/11/03	QUALITY SYMBOLS MAJOR CRITICAL	GENERAL TOLERANCES: (UNLESS SPECIFIED) mm INCH 4 PLACES ± 0.13 ± 0.005 3 PLACES ± 0.25 ± 0.01 2 PLACES ± 0.50 ± 0.025 1 PLACE ± 1.00 ± 0.1 ANGULAR: $\pm .5^\circ$	SCALE 2 : 1 DESIGN UNITS <input type="checkbox"/> mm <input checked="" type="checkbox"/> INCH	DRAWN BY & DATE JBS 06/10/03 CHECKED BY & DATE BW 06/13/03 APPROVED BY & DATE BW 06/16/03	DIMENSIONS: <input type="checkbox"/> mm <input checked="" type="checkbox"/> INCH <input type="checkbox"/> mm ONLY	THIRD ANGLE PROJECTION TITLE: .062/(1.57) HOUSING, PLUG AND RECEPTACLE, 36 - CIRCUIT	SHEET NO. 1 of 2	
	REV C	DESCRIPTION	CAD FILENAME SD1772-36*.DGN	MATERIAL NO. SEE CHART	DRAWING NO. SD-1772-36*-*-*	Molex INCORPORATED	SIZE C	
	DRAFT WHERE APPLICABLE MUST REMAIN WITHIN DIMENSIONS							THIS DRAWING CONTAINS INFORMATION THAT IS PROPRIETARY TO MOLEX INCORPORATED AND SHOULD NOT BE USED WITHOUT WRITTEN PERMISSION.
	LBOARD.DGN REV A 96/06/12 LEVEL 5							SHEET NO. 1 of 2

PLUG		RECEPTACLE	
PART NO.	ENG. NO.	PART NO.	ENG. NO.
03-06-2361	1772-36P	03-06-1361	1772-36R
03-06-2362	1772-36P-I	03-06-1362	1772-36R-I
03-06-7361	1772-36P-D	03-06-6361	1772-36R-D
03-06-7362	1772-36P-I-D	03-06-6362	1772-36R-I-D

PLUG LEGEND:



RECEPTACLE LEGEND:



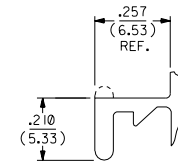
HOUSING	DIM. "A"	DIM. "B"
PLUG	1.795/(45.59)	.825/(20.96)
RECEPTACLE	1.677/(42.60)	.707/(17.96)

RECOMMENDED PANEL OPENING

* MAX. PANEL THICKNESS IS .060.

NOTES:

1. MATERIAL: PA 66, UL 94V-2; COLOR: NATURAL.
2. FINISH: NONE.
3. PRODUCT SPECIFICATION: NONE.
4. PACKAGING SPECIFICATION: NONE.
5. FOR USE WITH .062 SERIES TERMINALS.



MOUNTING EAR DETAIL

(SCALE 4:1)

DIMENSIONS SHOWN IN METRIC INCH		▽ = 0		▽ = 2		REVISE ONLY ON CAD SYSTEM	
UNLESS OTHERWISE SPECIFIED TOLERANCES: ANGULAR ± .04°		INCH		METRIC		TITLE	
3 PLACE	± .005	---		---		.062/(1.57) HOUSING, PLUG AND RECEPTACLE, 36 CIRCUIT	
2 PLACE	± .01	± 0.13		---		MOLEX INCORPORATED U.S.A. SHEET NO. 2 DATE 06/10/03	
1 PLACE	---	± 0.25		---		SEE CHART SD-1772-36	
DRAFT WHERE APPLICABLE MUST REMAIN WITHIN DIMENSIONS		DRWG. NO.		1151EJLL		68532	
DRWG. BY	JBS	CHK'D. BY	BW	NO DRAWING CONTAINS INFORMATION THAT IS PROPRIETARY TO MOLEX INC. AND SHOULD NOT BE USED WITHOUT WRITTEN PERMISSION.		CP IC	
APP'D. BY	BW	SCALE	2 : 1				
LTR.	REVISIONS	LTR.	REVISIONS				