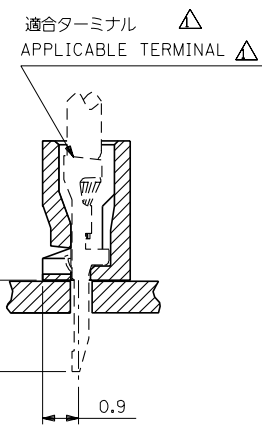
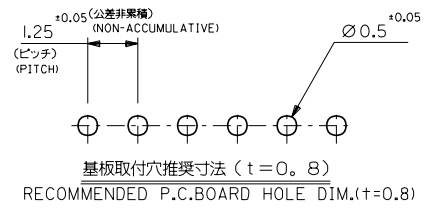
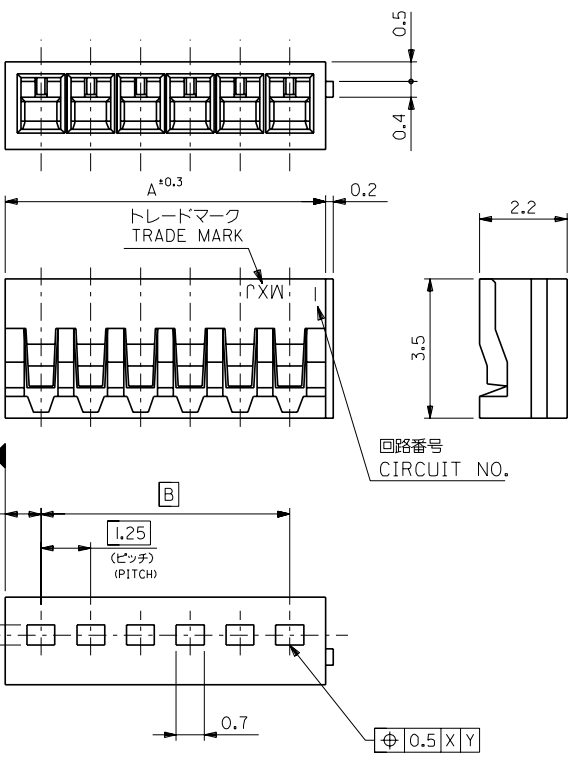


DWG. NO. SD-5 1022-**00

DIMENSIONS IN METRIC DO NOT SCALE DRAWING

8 7 6 5 4 3 2 1



注記 NOTE
 △ 適合ターミナル : 50061-8*00
 50080-8*00
 △ APPLICABLE TERMINAL : 50061-8*00
 50080-8*00

17.5	19.3	51022-1500	15
16.25	18.05	-1400	14
15	16.8	-1300	13
13.75	15.55	-1200	12
12.5	14.3	-1100	11
11.25	13.05	-1000	10
10	11.8	-0900	9
8.75	10.55	-0800	8
7.5	9.3	-0700	7
6.25	8.05	-0600	6
5	6.8	-0500	5
3.75	5.55	-0400	4
2.5	4.3	-0300	3
1.25	3.05	51022-0200	2
B	A	ENG. NO.	機殼 CKT.NO.

角度 ANGLE	$\pm 3^\circ$								
30 以上 OVER	± 0.3								
10 以上 未満 OVER 30 UNDER	± 0.25								
10 未満 UNDER	± 0.2								
一般公差 GENERAL TOLERANCES									
記号 LTR	変更内容 REVISION RECORD	DR. / CHK.	DATE	DR. / CHK.	DATE	DRAWN BY '96/05/29 H.IIJJIMA	CHK'D BY '96/05/29 M.FUKUSHIMA	尺度 SCALE 10:1	

材料 MATERIAL
 ポリエステル, UL94V-0
 POLYESTER, UL94V-0

仕上げ FINISH —

適用電線範囲 WIRE RANGE —

被覆外径 INS. RANGE —

MOLEX MOLEX-JAPAN CO., LTD.
 日本モレックス株式会社

REVISE ONLY ON CAD SYSTEM

TITLE 名称
 1.25 BOARD IN
 CONN. HOUSING

DWG. NO. SD-5 1022-**00

REV C

THIS DRAWING CONTAINS INFORMATION THAT IS PROPRIETARY TO MOLEX/JAPAN AND SHOULD NOT BE USED WITHOUT WRITTEN PERMISSION
 本図面は日本モレックス(株)の所有する情報を含むもので 当社の許可なく複製を禁止する。
 EN-01C(032)MXJ-32

8 7 6 5 4 3 2 1

10 9 8 7 6 5 4 3 2 1

F

E

D

C

B

A

F

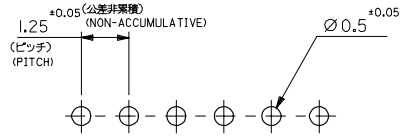
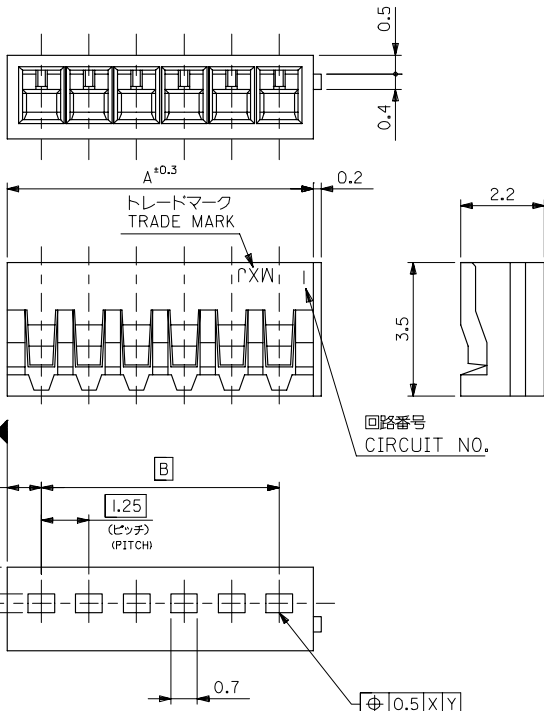
E

D

C

B

A

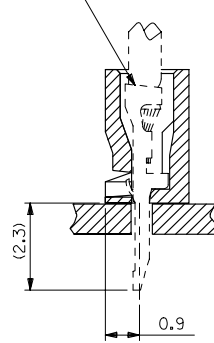


基板取付穴推奨寸法 (t=0.8)
RECOMMENDED P.C. BOARD HOLE DIM. (t=0.8)

適合ターミナル
APPLICABLE TERMINAL

注記
NOTE

- △ 適合ターミナル : 50061-8*00
50080-8*00
- △ APPLICABLE TERMINAL : 50061-8*00
50080-8*00



17.5	19.3	51022-1500	15
16.25	18.05	-1400	14
15	16.8	-1300	13
13.75	15.55	-1200	12
12.5	14.3	-1100	11
11.25	13.05	-1000	10
10	11.8	-0900	9
8.75	10.55	-0800	8
7.5	9.3	-0700	7
6.25	8.05	-0600	6
5	6.8	-0500	5
3.75	5.55	-0400	4
2.5	4.3	-0300	3
1.25	3.05	51022-0200	2
B	A	ENG. NO.	種 CKT. NO.

材料 MATERIAL	ポリエステル, UL94V-0 POLYESTER, UL94V-0
仕上り FINISH	—
適用導線範囲 WIRE RANGE	—
標準外径 INS. RANGE	—

REVISED	DESCRIPTION	GENERAL TOLERANCES (UNLESS SPECIFIED)	DIMENSION STYLE	SCALE	DESIGN UNITS	THIRD ANGLE PROJECTION
IEC NO. J2006-24B	2006/04/05	10 UNDER ±0.2	MM ONLY	10:1	METRIC	◎
DRWN: YAOYAGI	2006/04/06	10 OVER 30 UNDER ±0.25	DRAWN BY DATE	TITLE		
CHKD: HANAKA	2006/04/12	30 OVER ±0.3	H. IJIMA 1996/05/29	1.25 BOARD IN CONN HSG		
APPR: NUKITA		ANGULAR ±3 °	CHECKED BY DATE	MOLEX INCORPORATED		
		DRAFT WHERE APPLICABLE MUST REMAIN WITHIN DIMENSIONS	M. FUKUSHIMA 1996/05/29	MATERIAL NO.		
			M. ENOMOTO 1996/05/29	DOCUMENT NO.		
			SEE CHART	SD-51022-001		
				SHEET NO.		
				1 OF 1		