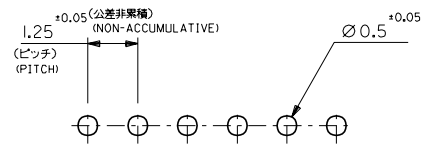
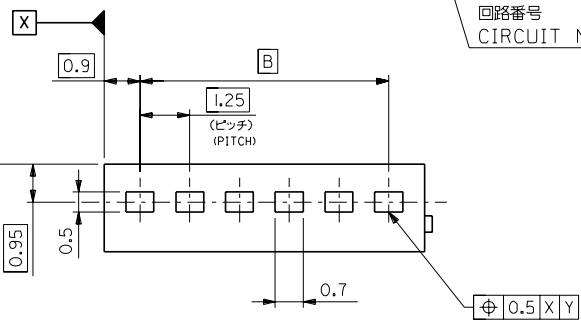
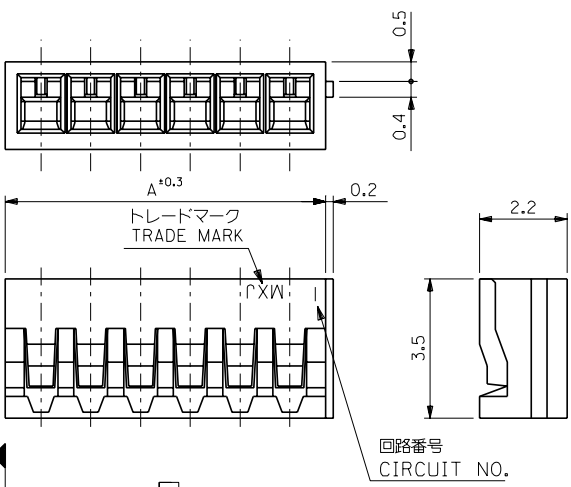


DWG. NO. SD-5 1022-\*\*-00

ALL DIMENSIONS IN METRIC DO NOT SCALE DRAWING

8 7 6 5 4 3 2 1

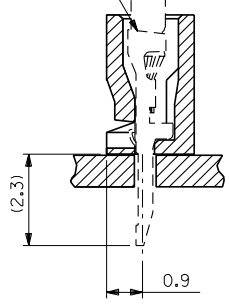


基板取付穴推奨寸法 (t=0.8)  
RECOMMENDED P.C. BOARD HOLE DIM. (t=0.8)

適合ターミナル △  
APPLICABLE TERMINAL △

注記  
NOTE

- △ 適合ターミナル : 50061-8\*00  
50080-8\*00
- △ APPLICABLE TERMINAL : 50061-8\*00  
50080-8\*00



17.5	19.3	51022-1500	15
16.25	18.05	-1400	14
15	16.8	-1300	13
13.75	15.55	-1200	12
12.5	14.3	-1100	11
11.25	13.05	-1000	10
10	11.8	-0900	9
8.75	10.55	-0800	8
7.5	9.3	-0700	7
6.25	8.05	-0600	6
5	6.8	-0500	5
3.75	5.55	-0400	4
2.5	4.3	-0300	3
1.25	3.05	51022-0200	2
B	A	ENG. NO.	機取 CKT.NO.

角度 ANGLE	±3°					材料 MATERIAL	ポリエステル, UL94V-0 POLYESTER, UL94V-0
30以上 OVER	±0.3					仕上げ FINISH	—
10以上 未満 OVER 30 UNDER	±0.25					適用電線範囲 WIRE RANGE	—
10未満 UNDER	±0.2					被覆外径 INS. RANGE	—
一般公差 GENERAL TOLERANCES						DRAWN BY '96/05/29	H.IIJIMA
						CHK'D BY '96/05/29	M.FUKUSHIMA
						APP'D BY '96/05/29	M.ENOMOTO
						尺度 SCALE	10:1
記号 LTR	変更内容 REVISION RECORD	DR. / CHK.	DR. / CHK.	DATE			

**molex** MOLEX-JAPAN CO.,LTD.  
日本モレックス株式会社

REVISE ONLY ON CAD SYSTEM

TITLE 名称  
1.25 BOARD IN  
CONN. HOUSING

DWG. NO. SD-5 1022-\*\*-00

REV C

THIS DRAWING CONTAINS INFORMATION THAT IS PROPRIETARY TO MOLEX/JAPAN AND SHOULD NOT BE USED WITHOUT WRITTEN PERMISSION  
本図面は日本モレックス(株)の所有する情報を含むもので 当社の許可なく複製を禁止する。  
EN-01C(032)MXJ-32

10 9 8 7 6 5 4 3 2 1

F

E

D

C

B

A

F

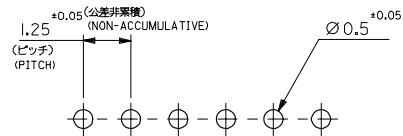
E

D

C

B

A

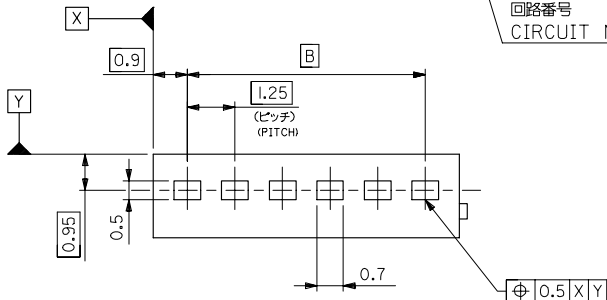
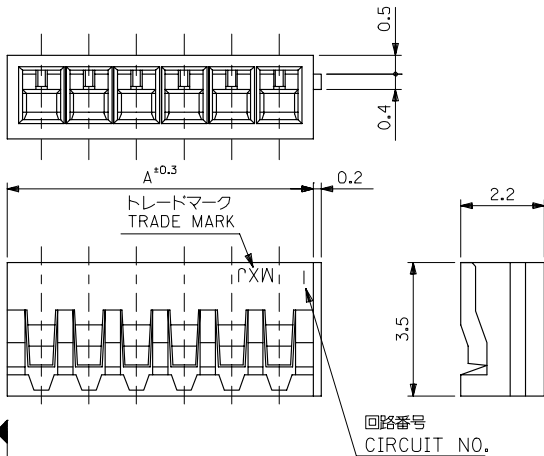
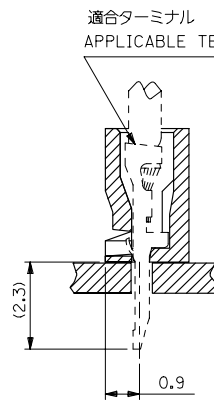


基板取付穴推奨寸法 (t=0.8)  
RECOMMENDED P.C.BOARD HOLE DIM.(t=0.8)

適合ターミナル  
APPLICABLE TERMINAL

注記  
NOTE

- △ 適合ターミナル : 50061-8\*00  
50080-8\*00
- △ APPLICABLE TERMINAL : 50061-8\*00  
50080-8\*00



17.5	19.3	51022-1500	15
16.25	18.05	-1400	14
15	16.8	-1300	13
13.75	15.55	-1200	12
12.5	14.3	-1100	11
11.25	13.05	-1000	10
10	11.8	-0900	9
8.75	10.55	-0800	8
7.5	9.3	-0700	7
6.25	8.05	-0600	6
5	6.8	-0500	5
3.75	5.55	-0400	4
2.5	4.3	-0300	3
1.25	3.05	51022-0200	2
B	A	ENG. NO.	機 CKT.NO.

材料 MATERIAL	ポリエステル, UL94V-0 POLYESTER, UL94V-0
仕上り FINISH	—
適用導線範囲 WIRE RANGE	—
標準外径 INS. RANGE	—

REVISED	DESCRIPTION	GENERAL TOLERANCES (UNLESS SPECIFIED)	DIMENSION STYLE (MM ONLY)	SCALE (10:1)	DESIGN UNITS (METRIC)	THIRD ANGLE PROJECTION
EC NO. J2006-2413	2006/04/05	10 UNDER ±0.2	DRAWN BY H. IJIMA	DATE 1996/05/29	TITLE 1.25 BOARD IN CONN HSG	
DRWN: YAOYAGI	2006/04/06	10 OVER 30 UNDER ±0.25	CHECKED BY M. FUKUSHIMA	DATE 1996/05/29		
CHK: MTANAKA		30 OVER ±0.3	APPROVED BY M. ENOMOTO	DATE 1996/05/29		
APPR: NUKITA	2006/04/12	ANGULAR ±3 °	MATERIAL NO.			
		DRAFT WHERE APPLICABLE MUST REMAIN WITHIN DIMENSIONS	SEE CHART			
			SIZE A3		MOLEX INCORPORATED	
					DOCUMENT NO. SD-51022-001	SHEET NO. 1 OF 1