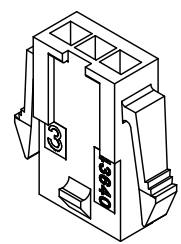
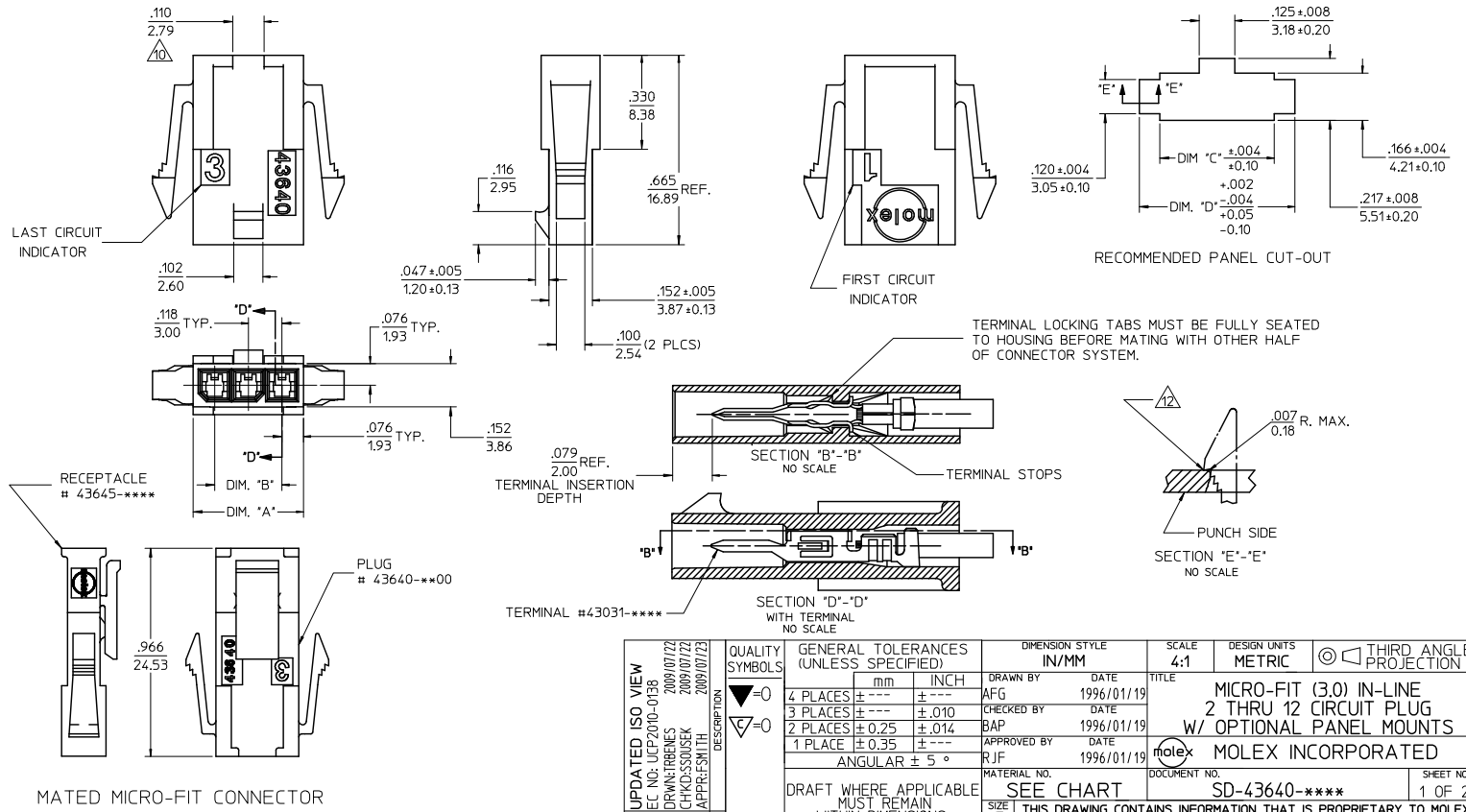


ASSEMBLY ITEM NUMBER	PART CHARACTERISTICS NUMBER OF POSITION	CKT. NO.	DIM. "A"	DIM. "B"	DIM. "C"	DIM. "D"
43640-0200	02	2	.270/6.85	.118/3.00	.284/7.21	.429/10.90
43640-0300	03	3	.388/9.85	.236/6.00	.402/10.21	.547/13.89
43640-0400	04	4	.506/12.85	.354/9.00	.520/13.21	.665/16.89
43640-0500	05	5	.624/15.85	.472/12.00	.638/16.21	.783/19.89
43640-0600	06	6	.742/18.85	.591/15.00	.756/19.21	.901/22.89
43640-0700	07	7	.860/21.85	.709/18.00	.874/22.20	1.019/25.88
43640-0800	08	8	.978/24.85	.872/21.00	.992/25.20	1.137/28.88
43640-0900	09	9	1.096/27.85	.945/24.00	1.110/28.20	1.255/31.88
43640-1000	10	10	1.215/30.85	1.063/27.00	1.229/31.22	1.373/34.87
43640-1100	11	11	1.333/33.85	1.181/30.00	1.347/34.22	1.491/37.87
43640-1200	12	12	1.451/36.85	1.299/33.00	1.465/37.22	1.609/40.87

- NOTES:
- HOUSING MATERIAL: UNFILLED POLYESTER, RATED UL94V-0 COLOR IS BLACK
 - FINISH: NONE
 - PRODUCT SPECIFICATION: PS-43650
 - PACKAGING SPECIFICATION: NONE
 - THIS HOUSING MATES WITH MICRO-FIT RECEPTACLE #43645-****.
 - THIS HOUSING IS DESIGNED IN METRIC
 - THIS HOUSING IS TO BE USED WITH MOLEX MALE TERMINAL #43031-****.
 - PLUG DESIGNED FOR .062/1.57 TO .090/2.30 THICK STAMPED PANEL OR P.C.BOARD.
 - SEE SECTION "D"-D" FOR TERMINAL ORIENTATION IN HOUSING.
 - THIS DIMENSION APPLIES TO PLUG CKT. SIZES 2 THRU 12 ONLY.
 - SEE SHEET 2 FOR PLUG WITHOUT PANEL MOUNTS.
 - PANEL MOUNT FEATURES MUST LOCK ON SIDE OPPOSITE PUNCH SIDE FOR OPTIMUM RETENTION.
 - THIS PART CONFORMS TO CLASS B REQUIREMENTS OF COSMETIC SPECIFICATION PS-45499-002.

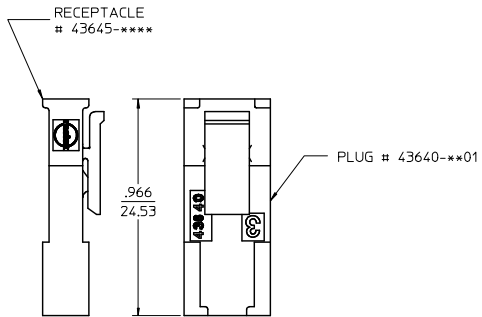
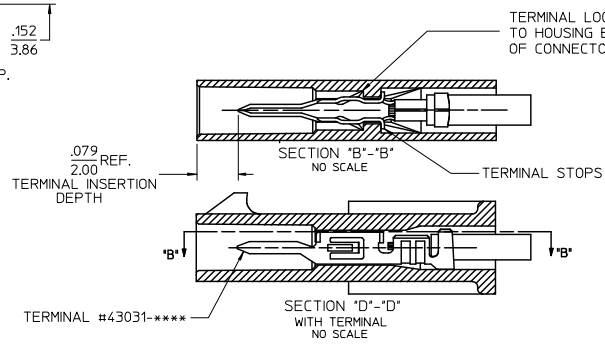
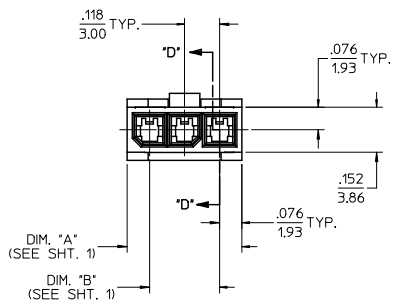
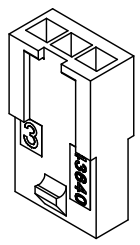
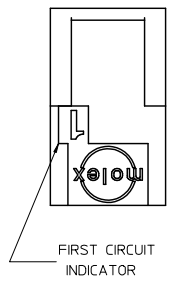
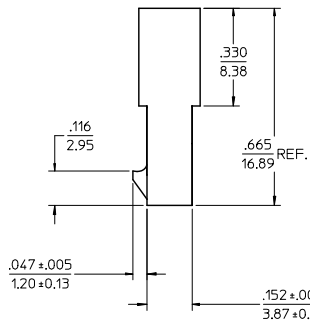
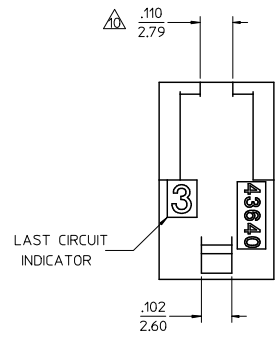


PLUG WITH PANEL MOUNTS



UPDATED ISO VIEW EC NO. UCEP200-0138 DRWN:RBRES 2009/07/22 CHKD:SSJUSEK 2009/07/22 APPR:SMITH 2009/07/23	QUALITY SYMBOLS ▽=0 ▽=0	GENERAL TOLERANCES (UNLESS SPECIFIED): mm INCH 4 PLACES ±.25 ±.010 3 PLACES ±.35 ±.014 2 PLACES ±.50 ±.020 1 PLACE ±.75 ±.030 ANGULAR ± 5°		DIMENSION STYLE IN/MM	SCALE 4:1	DESIGN UNITS METRIC	THIRD ANGLE PROJECTION
		DRAWN BY AFG 1996/01/19	DATE 1996/01/19	CHECKED BY BAP 1996/01/19	DATE 1996/01/19	APPROVED BY R/JF 1996/01/19	TITLE MICRO-FIT (3.0) IN-LINE 2 THRU 12 CIRCUIT PLUG W/ OPTIONAL PANEL MOUNTS
DRAFT WHERE APPLICABLE MUST REMAIN WITHIN DIMENSIONS	SEE CHART	MATERIAL NO. SD-43640-****	DOCUMENT NO.	THIS DRAWING CONTAINS INFORMATION THAT IS PROPRIETARY TO MOLEX INCORPORATED AND SHOULD NOT BE USED WITHOUT WRITTEN PERMISSION			

X-CONTACT FACTORY	ASSEMBLY ITEM NUMBER	PART CHARACTERISTICS NUMBER OF POSITION
	43640-0201	02
	43640-0301	03
	43640-0401	04
	43640-0501	05
	43640-0601	06
X	43640-0701	07
X	43640-0801	08
X	43640-0901	09
X	43640-1001	10
X	43640-1101	11
X	43640-1201	12



UPDATED ISO VIEW EC NO. UCP200-0138 2009/07/22 DRAWN: IRENES 2009/07/22 CHKD: SJOSEK 2009/07/22 APPROV: SMITH	QUALITY SYMBOLS 	GENERAL TOLERANCES (UNLESS SPECIFIED): mm INCH		DIMENSION STYLE IN/MM		SCALE 4:1	DESIGN UNITS METRIC	THIRD ANGLE PROJECTION
		4 PLACES ± .010 ± .010 3 PLACES ± .010 ± .010 2 PLACES ± .025 ± .014 1 PLACE ± 0.35 ± .010 ANGULAR ± 5°	DRAWN BY AFG DATE 1996/01/19	CHECKED BY BAP DATE 1996/01/19	TITLE MICRO-FIT (3.0) IN-LINE 2 THRU 12 CIRCUIT PLUG W/ OPTIONAL PANEL MOUNTS			
F1	DESCRIPTION REV	DRAFT WHERE APPLICABLE MUST REMAIN WITHIN DIMENSIONS		SEE CHART		MATERIAL NO. SD-43640-****	DOCUMENT NO. MOLEX INCORPORATED	SHEET NO. 2 OF 2