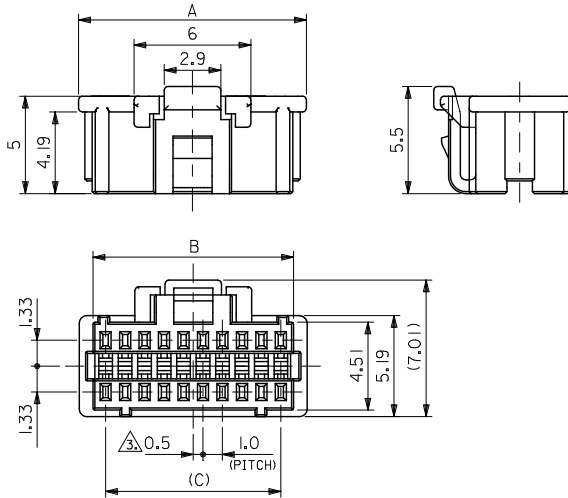
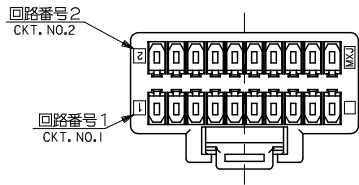
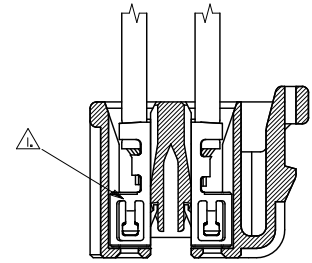


10 9 8 7 6 5 4 3 2 1



NOTES.

1. 適合ターミナル: 501193-****
APPLICABLE TERMINAL : 501193-****
2. 嵌合相手: 501190-**** , 501571-****
MATE WITH : 501190-**** , 501571-****
3. 極数/2=偶数に適用。
APPLY FOR CIRCUIT SIZE/2=EVEN
4. 材料
MATERIAL
66ナイロン、ガラス無充填、UL94V-0
PA66 , GLASS FILLED 0% , UL94V-0
5. ELV 及び RoHS 適合品
ELV AND RoHS COMPLIANT.

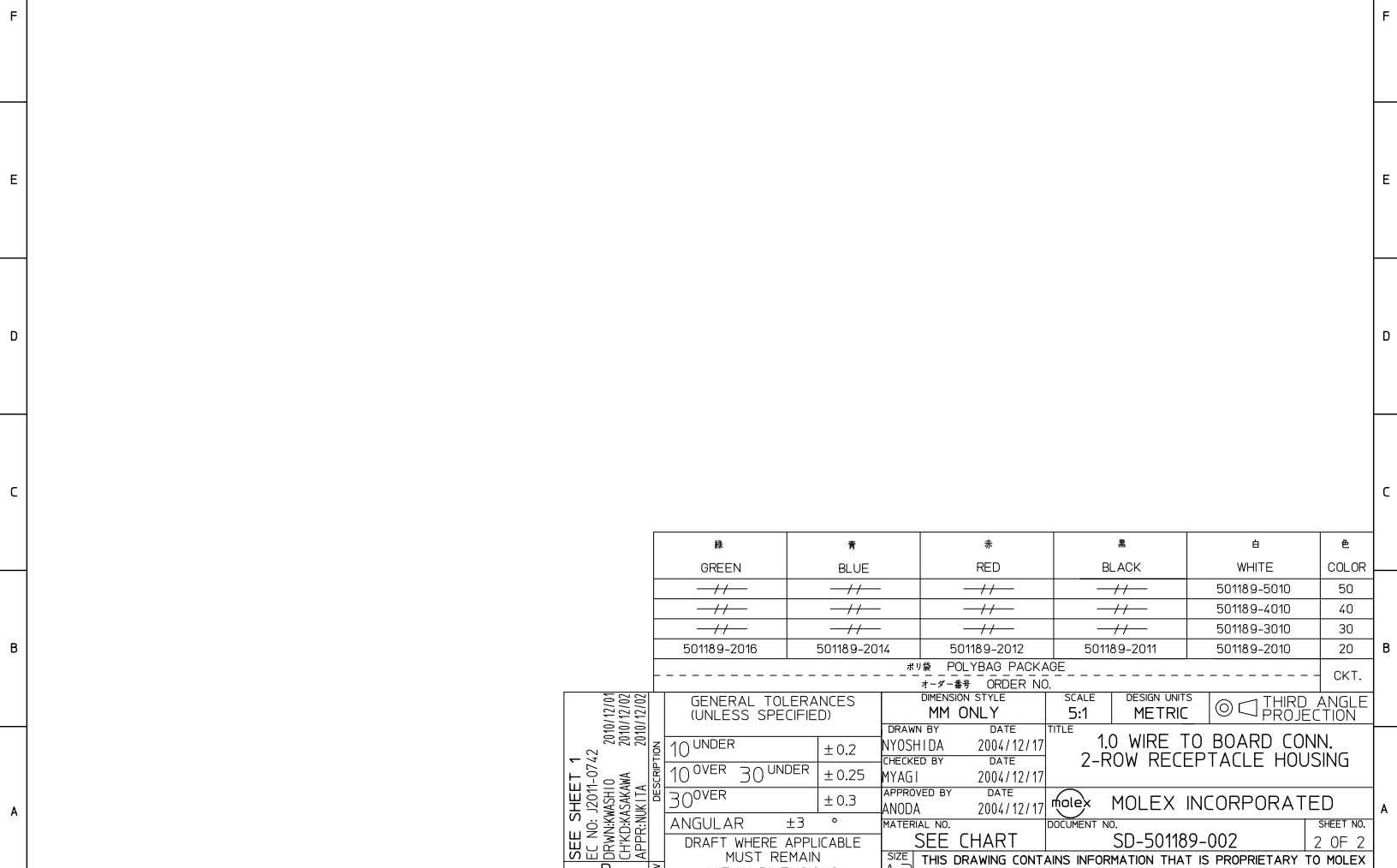


ターミナル装着図
TERMINAL ASSEMBLY DRAWING

24	25.3	26.7	501189-501*	50
19	20.3	21.7	501189-401*	40
14	15.3	16.7	501189-301*	30
9	10.3	11.7	501189-201*	20
C	B	A	ポリ袋 POLYBAG PACKAGE オーダー番号 ORDER NO.	CKT.

REVISED EC NO: J2011-0742 DRW: NYOSHI CHYK: KASAKANA APPR: NIKITA 2010/11/29 2010/12/02 2010/12/02	GENERAL TOLERANCES (UNLESS SPECIFIED)		DIMENSION STYLE MM ONLY		SCALE 5:1	DESIGN UNITS METRIC	THIRD ANGLE PROJECTION
	10 UNDER	±0.2	DRAWN BY NYOSHIDA	DATE 2004/12/17	TITLE 1.0 WIRE TO BOARD CONN. 2-ROW RECEPTACLE HOUSING		
	10 OVER 30 UNDER	±0.25	CHECKED BY MYAGI	DATE 2004/12/17	MOLEX INCORPORATED		
	30 OVER	±0.3	APPROVED BY ANODA	DATE 2004/12/17	DOCUMENT NO. SD-501189-002		
ANGULAR ±3°		MATERIAL NO. SEE SHEET 2		SHEET NO. 1 OF 2			
DRAFT WHERE APPLICABLE MUST REMAIN WITHIN DIMENSIONS		SIZE 3 THIS DRAWING CONTAINS INFORMATION THAT IS PROPRIETARY TO MOLEX INCORPORATED AND SHOULD NOT BE USED WITHOUT WRITTEN PERMISSION					

10 9 8 7 6 5 4 3 2 1



緑	青	赤	黒	白	色
GREEN	BLUE	RED	BLACK	WHITE	COLOR
//	//	//	//	501189-5010	50
//	//	//	//	501189-4010	40
//	//	//	//	501189-3010	30
501189-2016	501189-2014	501189-2012	501189-2011	501189-2010	20

ポリ袋 POLYBAG PACKAGE
 オーダー番号 ORDER NO. CKT.

SEE SHEET 1 EC NO: J2011-0742 DRAWN BY: DRINKWASHIO CHECKED BY: CHYOKIKASAKANA APPROVED BY: APPR:NIKIITA	GENERAL TOLERANCES (UNLESS SPECIFIED)		DIMENSION STYLE MM ONLY		SCALE 5:1	DESIGN UNITS METRIC	THIRD ANGLE PROJECTION
	10 UNDER	±0.2	DRAWN BY NYOSHIDA	DATE 2004/12/17	TITLE 1.0 WIRE TO BOARD CONN. 2-ROW RECEPTACLE HOUSING		
	10 OVER 30 UNDER	±0.25	CHECKED BY MYAGI	DATE 2004/12/17	APPROVED BY ANODA		
	30 OVER	±0.3	DATE 2004/12/17	MOLEX INCORPORATED			
ANGULAR ±3 °		DRAFT WHERE APPLICABLE MUST REMAIN WITHIN DIMENSIONS		MATERIAL NO. SEE CHART	DOCUMENT NO. SD-501189-002	SHEET NO. 2 OF 2	

tb_frame_A3_J_ME_S
 Rev. E 2006/04/15

9 8 7 6 5 4 3 2 1 EN-02JA(021)