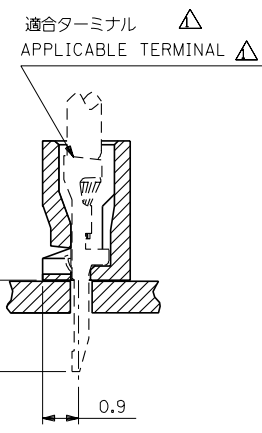
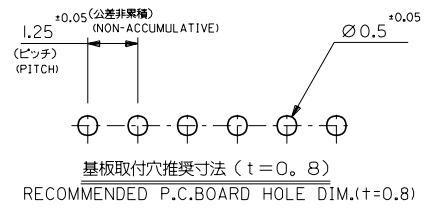
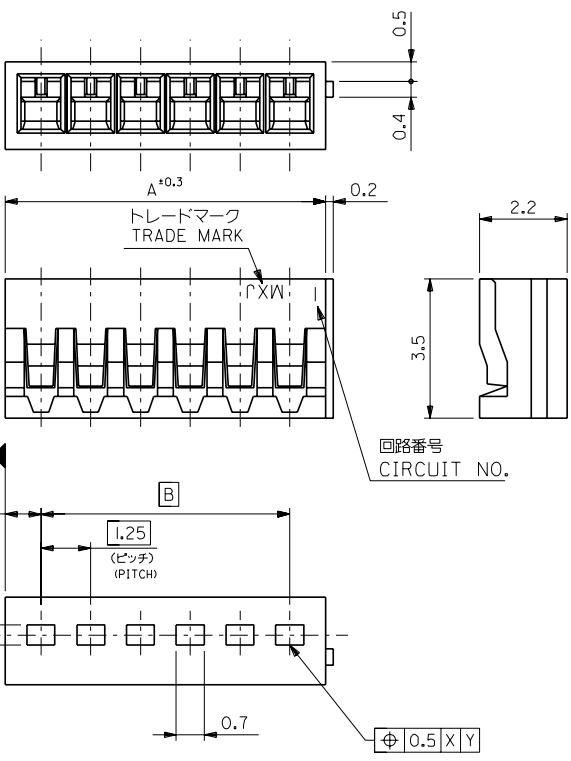


DWG. NO. SD-5 1022-\*\*00

DIMENSIONS IN METRIC DO NOT SCALE DRAWING

8 7 6 5 4 3 2 1



注記 NOTE  
 △ 適合ターミナル : 50061-8\*00  
 50080-8\*00  
 △ APPLICABLE TERMINAL : 50061-8\*00  
 50080-8\*00

17.5	19.3	51022-1500	15
16.25	18.05	-1400	14
15	16.8	-1300	13
13.75	15.55	-1200	12
12.5	14.3	-1100	11
11.25	13.05	-1000	10
10	11.8	-0900	9
8.75	10.55	-0800	8
7.5	9.3	-0700	7
6.25	8.05	-0600	6
5	6.8	-0500	5
3.75	5.55	-0400	4
2.5	4.3	-0300	3
1.25	3.05	51022-0200	2
B	A	ENG. NO.	機款 CKT.NO.

角度 ANGLE	$\pm 3^\circ$								
30 以上 OVER	$\pm 0.3$								
10 以上 未満 OVER 30 UNDER	$\pm 0.25$								
10 未満 UNDER	$\pm 0.2$								
一般公差 GENERAL TOLERANCES									
記号 LTR	変更内容 REVISION RECORD	DR. / CHK.	DATE	DR. / CHK.	DATE	DRAWN BY '96/05/29 H.IIJJIMA	CHK'D BY '96/05/29 M.FUKUSHIMA	尺度 SCALE 10:1	

材料 MATERIAL  
 ポリエステル, UL94V-0  
 POLYESTER, UL94V-0

仕上げ FINISH —

適用電線範囲 WIRE RANGE —

被覆外径 INS. RANGE —

MOLEX MOLEX-JAPAN CO., LTD.  
 日本モレックス株式会社

REVISE ONLY ON CAD SYSTEM

TITLE 名称  
 1.25 BOARD IN  
 CONN. HOUSING

DWG. NO. SD-5 1022-\*\*00

REV C

THIS DRAWING CONTAINS INFORMATION THAT IS PROPRIETARY TO MOLEX/JAPAN AND SHOULD NOT BE USED WITHOUT WRITTEN PERMISSION  
 本図面は日本モレックス(株)の所有する情報を含むもので 当社の許可なく複製を禁止する。  
 EN-01C(032)MXJ-32

8 7 6 5 4 3 2 1

10 9 8 7 6 5 4 3 2 1

F

E

D

C

B

A

F

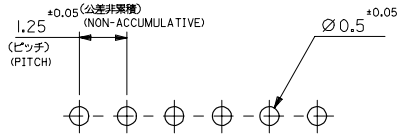
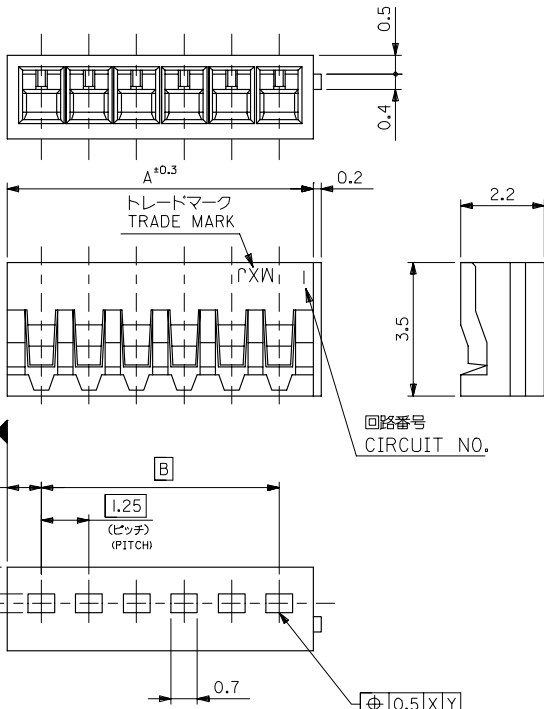
E

D

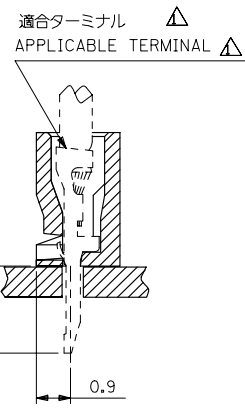
C

B

A



基板取付穴推奨寸法 (t=0.8)  
RECOMMENDED P.C. BOARD HOLE DIM. (t=0.8)



注記  
NOTE

- △ 適合ターミナル : 50061-8\*00  
50080-8\*00
- △ APPLICABLE TERMINAL : 50061-8\*00  
50080-8\*00

17.5	19.3	51022-1500	15
16.25	18.05	-1400	14
15	16.8	-1300	13
13.75	15.55	-1200	12
12.5	14.3	-1100	11
11.25	13.05	-1000	10
10	11.8	-0900	9
8.75	10.55	-0800	8
7.5	9.3	-0700	7
6.25	8.05	-0600	6
5	6.8	-0500	5
3.75	5.55	-0400	4
2.5	4.3	-0300	3
1.25	3.05	51022-0200	2
B	A	ENG. NO.	種 CKT.NO.

材料 MATERIAL	ポリエステル, UL94V-0 POLYESTER, UL94V-0
仕上り FINISH	—
適用導線範囲 WIRE RANGE	—
標準外径 INS. RANGE	—

REVISED	DESCRIPTION	GENERAL TOLERANCES (UNLESS SPECIFIED)	DIMENSION STYLE	SCALE	DESIGN UNITS	TITLE	
EC NO. J2006-2413	2006/04/05	10 UNDER ±0.2	MM ONLY	10:1	METRIC		1.25 BOARD IN CONN HSG
DRWN: YAOYAGI	2006/04/06	10 OVER 30 UNDER ±0.25	DRAWN BY	DATE			
CHKD: MIYAKA		30 OVER ±0.3	H. IJIMA	1996/05/29			
APPR: NUKITA	2006/04/12	ANGULAR ±3 °	CHECKED BY	DATE			
		DRAFT WHERE APPLICABLE MUST REMAIN WITHIN DIMENSIONS	M. FUKUSHIMA	1996/05/29			
			APPROVED BY	DATE			
			M. ENOMOTO	1996/05/29			
			MATERIAL NO.	MOLEX INCORPORATED			
			SIZE	DOCUMENT NO.			
			A3	SD-51022-001			
			THIS DRAWING CONTAINS INFORMATION THAT IS PROPRIETARY TO MOLEX INCORPORATED AND SHOULD NOT BE USED WITHOUT WRITTEN PERMISSION				SHEET NO. 1 OF 1