

4

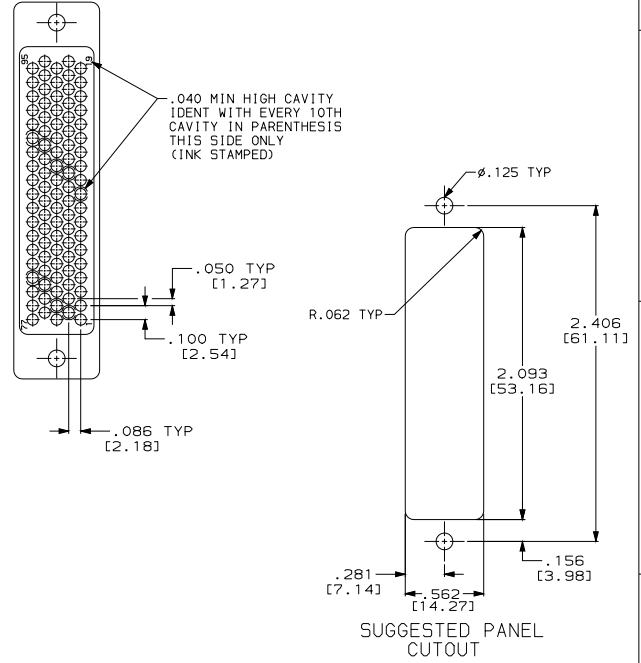
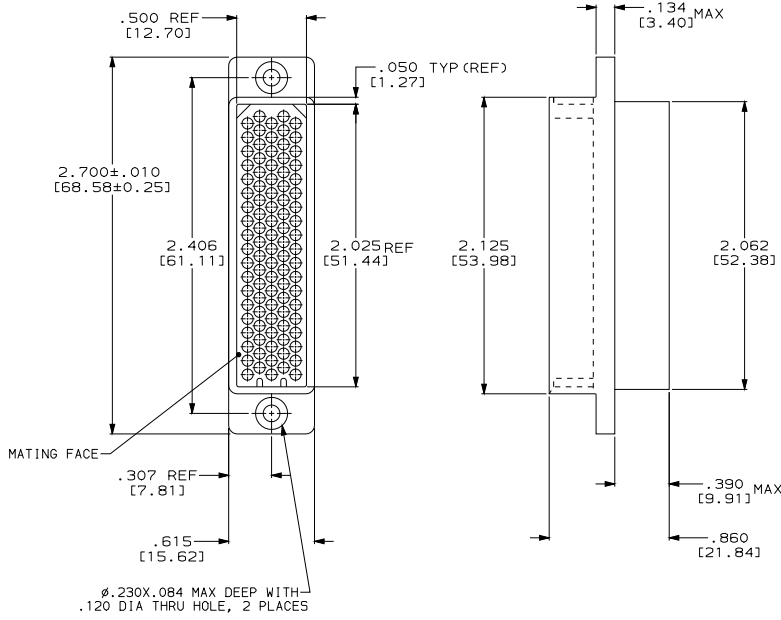
3

2

1

THIS DRAWING IS UNPUBLISHED. RELEASED FOR PUBLICATION .19
 © COPYRIGHT 19 BY AMP INCORPORATED. ALL RIGHTS RESERVED.

LOC	DIST	REVISIONS					
DF	CO	P	LN	DESCRIPTION	DATE	BY	APPD
		0		DRAW PER DR, 6-129F	11-12-96	JB	DM



1. WILL ACCEPT AMP TYPE XI PIN OR SOCKET CONTACTS.
 ▲ DIALYL PHTHALATE (BLUE) PER MIL-M-14 TYPE SDG.

204027-2 A5 SHOWN

THIS DRAWING IS A CONTROLLED DOCUMENT.		DWG	J. A. Baker	11-12-96	AMP Incorporated Harrisburg, PA 17105-3600
DIMENSIONS IN DWG		CHK	D. RUMNEY	11-12-96	
DIMENSIONS UNLESS OTHERWISE SPECIFIED.		APPD	D. RUMNEY	11-12-96	RECEPTACLE BLOCK, 95 POSITION ("HDR" SERIES)
0 PLC ±- 1 PLC ±- 2 PLC ±.005 (0.13) 3 PLC ±- 4 PLC ±- ANGLES ±-		APPLICATION SPEC			
MATERIAL	▲	FINISH		WEIGHT	SIZE CASE CODE DRAWING NO
					A200779C-204027
					RESTRICTED TO
					CUSTOMER DRAWING
					SCALE 2:1 SHEET 1 OF 1 REV 0