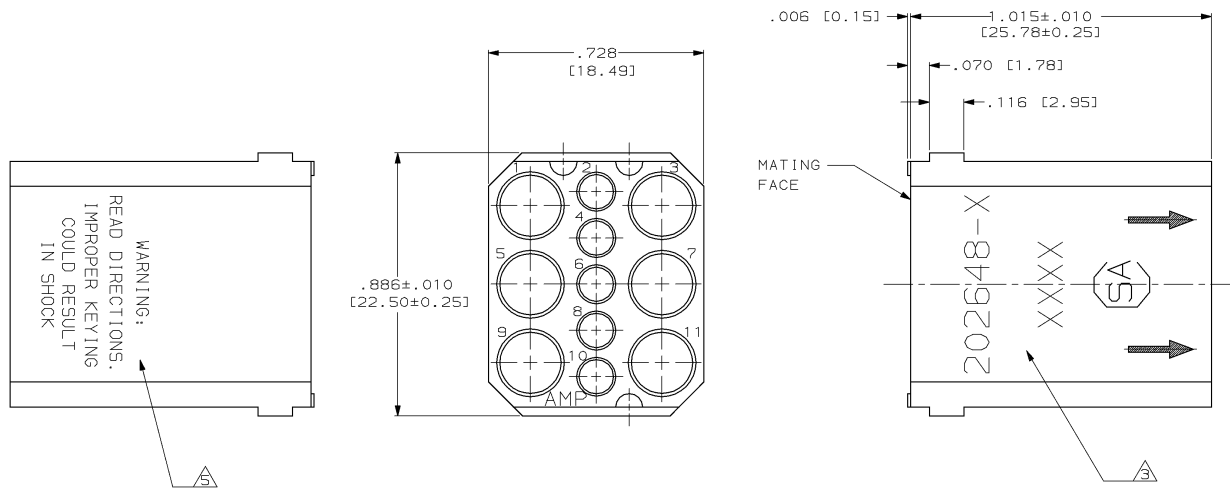


DRAWING MADE IN THIRD ANGLE PROJECTION
 THIS DRAWING IS UNPUBLISHED. RELEASED FOR PUBLICATION
 © COPYRIGHT 19 BY AMP INCORPORATED. ALL INTERNATIONAL RIGHTS RESERVED.

LOC		DIST		ZONE		LTR		REVISIONS		DATE	APPD
DF	B0	P	F					F	REV & REDRAWN DF-4297	PY 11-91	DBM
								G	REV PER 0600-4161-95 JB	08-95	DBM



⚠ MATERIAL: DIALLYL PHTHALATE PER MIL-M-14, TYPE SDG-F, COLOR: BLUE

⚠ MATERIAL: PHENOLIC PER MIL-M-14, TYPE CFG, COLOR: BLACK

⚠ AMP PART NO, DATE CODE, CSA CERT AND ARROWS MARKED WITH WHITE INK OR BY LASER MARKING AT APPROXIMATE AREA SHOWN, EITHER SIDE

4. THIS MODULE WILL ACCOMMODATE:

(6) MINIATURE COAXICON OR TYPE I SIZE 12 PIN CONTACTS AND

(5) SUBMINIATURE COAXICON, TYPE II SIZE 16, TYPE III (+) SIZE 16 OR TYPE VI SIZE 16 PIN CONTACTS

⚠ WARNING STATEMENT MARKED WITH WHITE INK AT APPROXIMATE AREA SHOWN, ON SIDE OPPOSITE PART NUMBER.

MATERIAL	PART NUMBER
⚠	202648-4
⚠	202648-2

DO NOT SCALE PRINT. UNLESS SPECIFIED DIMENSIONS IN INCHES [mm]		PART NO	
DR 9-12-91 P. YEAGER	CHK 11-12-91 D.B. MUMMEY	AMP AMP Incorporated Harrisburg, PA 17105-3608	
TOLERANCES ON : 2 PLC DEC # - 3 PLC DEC # .005 ANGLES ± -	APPD 11-12-91 D.B. MUMMEY	NAME MALE BLOCK G SERIES, 11 POSN	
MATERIAL SEE TABLE	APPD - PRODUCT SPEC -	SIZE C 00779	DRAWING NO 202648
FINISH -	APPLICATION SPEC -	SCALE 4:1	SHEET 1 OF 1
WEIGHT -			

CUSTOMER DRAWING