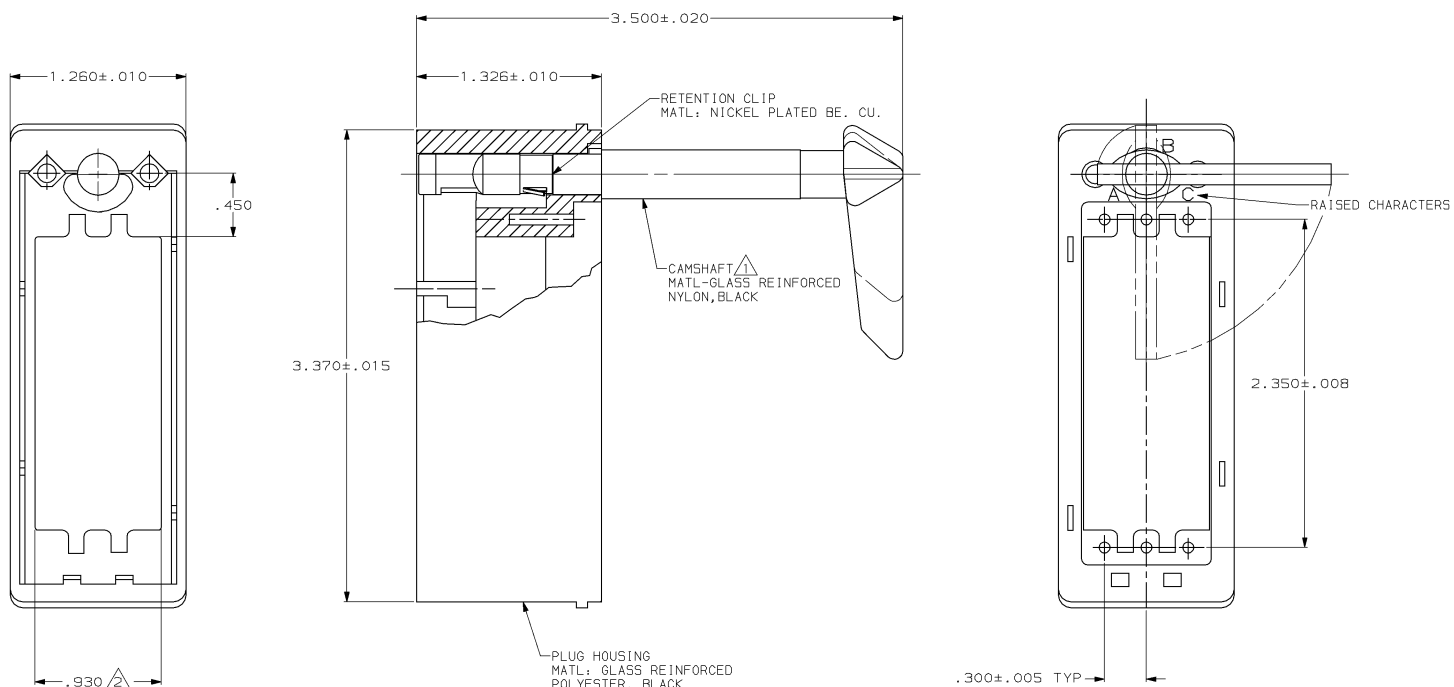


THIS DRAWING IS UNPUBLISHED.  
 RELEASED FOR PUBLICATION  
 BY AMP INCORPORATED. ALL RIGHTS RESERVED.

REVISONS		DATE	BY	APP'D
DF	E0			
M		03-14-96	JB	DBM



- 1 CAMSHAFT SHOWN ASSEMBLED, PACKAGED UNASSEMBLED,
- 2 APPLIES TO MIDDLE AND ENDS OF PRODUCT
- 3 AS SHOWN EXCEPT WITHOUT CAMSHAFT.
- 4 SAME AS -1 EXCEPT GENERAL ELECTRIC PART NO. (218A4550P1) STAMPED ON KIT BAG.
- 5 SAME AS -3 EXCEPT: USES SHORT HANDLED CAM SHAFT.
- 6 SAME AS -1 EXCEPT SPECIAL KEYWAY.

OBSOLETE	6	206527-5
OBSOLETE	5	206527-4
OBSOLETE	4	206527-3
	3	206527-2
	-	206527-1
REMARKS	PART NUMBER	

<small>THIS DRAWING IS UNPUBLISHED. RELEASED FOR PUBLICATION BY AMP INCORPORATED. ALL RIGHTS RESERVED.</small>		J. A. Baker 03-13-96 D. Blumley 03-14-96	AMP Incorporated Harrisburg, PA 17105-3608
OTHER NOTES: in	REFERENCES CHECKED: OTHERS AS SPECIFIED:	D. Blumley 03-14-96 PRODUCT SPEC	<b>AMP</b> PLUG KIT, ZERO ENTRY SIZE 1 (3,40 POS. MODULES) STANDARD
MATERIAL: SEE CALLOUT	WEIGHT: FINISH:	APPLICATION SPEC: WEIGHT: FINISH:	SIZE: A2 CASE CODE: 00779 DRAWING NO: C-206527 SCALE: 2:1 SHEET 1 OF 1 REV M
CUSTOMER DRAWING			