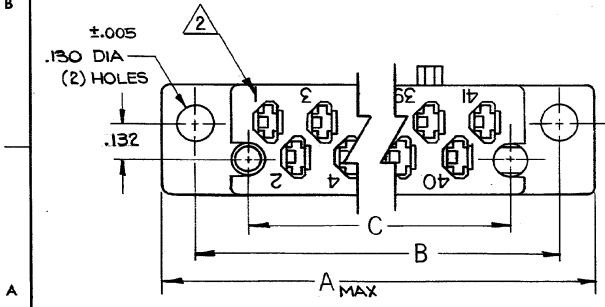
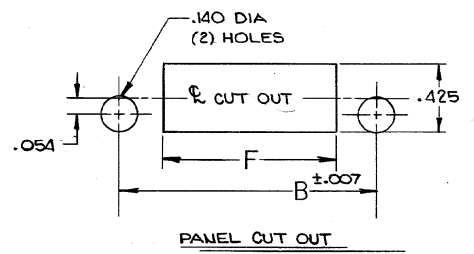
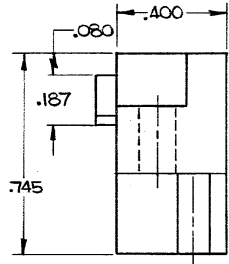
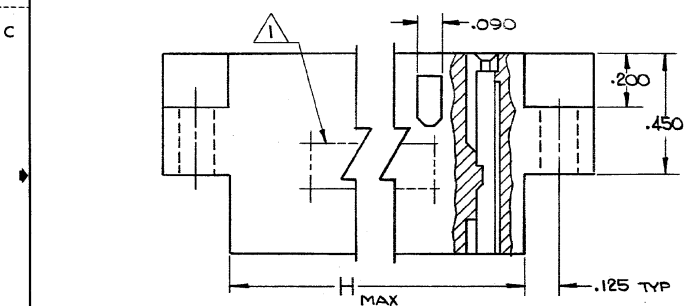
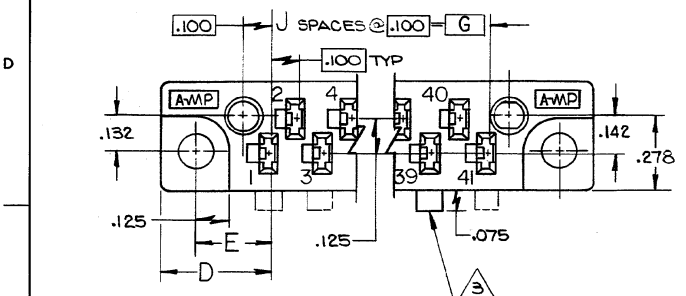


DRAWING MADE IN THIRD ANGLE PROJECTION

© COPYRIGHT 1979 BY AMP INCORPORATED, HARRISBURG, PA.
ALL INTERNATIONAL RIGHTS RESERVED. AMP INCORPORATED PRODUCTS
COVERED BY U. S. AND FOREIGN PATENTS AND/OR PATENTS PENDING.

LOC DIST
DF HG

REVISIONS					
P	F	ZONE	DESCRIPTION	DATE	APPROVED
01			REVISED	6/80	MJS
02			REVISED	7/80	DE
03			REVISED	8/80	DE



UNLESS OTHERWISE SPECIFIED DIMENSIONS ARE IN INCHES. TOLERANCES ON: DECIMALS ±.015 ANGLES ± 10		CONTRACT NO. DR 5-3-79 CHK IRSNAFFNER	PART NO.	
MATERIAL GLASS-FILLED POLYESTER COLOR- GREEN	APPD S. Parsons 5-14-79 APPD S. Parsons 5-14-79 APPD R. Sturman 5-15-78	AMP AMP INCORPORATED Harrisburg, Pa.		
FINISH	OTHER APPD	NAME AMP BLADE RECEPTACLE HOUSING, .100 CENTERS		
		SIZE CODE IDENT NO C 00779	DRAWING NO 531590	
		SCALE 4-1	SHEET 1 OF 2	

AMP 1471-B REV 12-78

CUSTOMER DRAWING

531590

DRAWING MADE IN THIRD ANGLE PROJECTION

3

2

1

LOC DIST
DF HO

© COPYRIGHT 1979 BY AMP INCORPORATED, HARRISBURG, PA.
ALL INTERNATIONAL RIGHTS RESERVED. AMP INCORPORATED PRODUCTS
COVERED BY U. S. AND FOREIGN PATENTS AND/OR PATENTS PENDING.

REVISIONS					
P	F	ZONE	DESCRIPTION	DATE	APPROVED
✓	✓	P	OBS 7-6-9-10-11-12 ECHDF 044	5/18	JW

- ▲ 'AMP', PART NO. & DATE CODE INK STAMPED WHITE THIS AREA.
- ▲ .002 (REF) NUMERALS MOLDED ON BOTH FACES OF HOUSING.
- ▲ POLARIZING LUGS TO BE LOCATED AS SHOWN ON ALL ODD NUMBERED POSITIONS PER CHART BELOW.
- ▲ OBS PART NO

ALL ODD NOS.	46	5.130	4.600	5.143	.399	.525	4.764	5.363	5.623	47	▲	531590-2	
↑	40	4.297	4.000	4.310	.283	.408	4.164	4.530	4.790	41	▲	-1	
↑	34	3.697	3.400	3.710	↑	↑	3.564	3.930	4.190	35	▲	-0	
↑	28	3.097	2.800	3.110	↑	↑	2.964	3.330	3.590	29	▲	-9	
↑	22	2.497	2.200	2.510	↑	↑	2.364	2.730	2.990	23	▲	-8	
ALL ODD NOS.	16	1.897	1.600	1.910	.283	.408	1.764	2.130	2.390	17	▲	-7	
↑	NONE	40	5.130	4.600	5.143	.399	.525	4.764	5.363	5.623	47	↑	-6
↑	40	4.297	4.000	4.310	.283	.408	4.164	4.530	4.790	41	↑	-5	
↑	34	3.697	3.400	3.710	↑	↑	3.564	3.930	4.190	35	↑	-4	
↑	28	3.097	2.800	3.110	↑	↑	2.964	3.330	3.590	29	↑	-3	
↑	22	2.497	2.200	2.510	↑	↑	2.364	2.730	2.990	23	↑	-2	
↑	NONE	16	1.897	1.600	1.910	.283	.408	1.764	2.130	2.390	17	↑	-1

POLARIZING LUG LOCATION	J	H	G	F	E	D	C	B	A	NO. OF POSITIONS	PART NO
UNLESS OTHERWISE SPECIFIED DIMENSIONS ARE IN INCHES. TOLERANCES ON: DECIMALS ± .015 ANGLES ± 1°		CONTRACT NO 5-3-79		DR R. CHAFFNER		AMP INCORPORATED Harrisburg, Pa.					
MATERIAL		CHK 5-4-79		APPD 5-4-79		NAME AMP BLADE RECEPTACLE HOUSING .100 CENTERS					
FINISH		DSGN APPD 5-15-79		OTHER APPD		SIZE (CODE IDENT NO) DRAWING NO C 00779 531590					
						SCALE		SHEET 2 OF 2			

AMP 1471-6 REV 12-78

CUSTOMER DRAWING