

4

3

2

1

THIS DRAWING IS UNPUBLISHED. RELEASED FOR PUBLICATION  
 © COPYRIGHT 20 BY TYCO ELECTRONICS CORPORATION. ALL RIGHTS RESERVED.

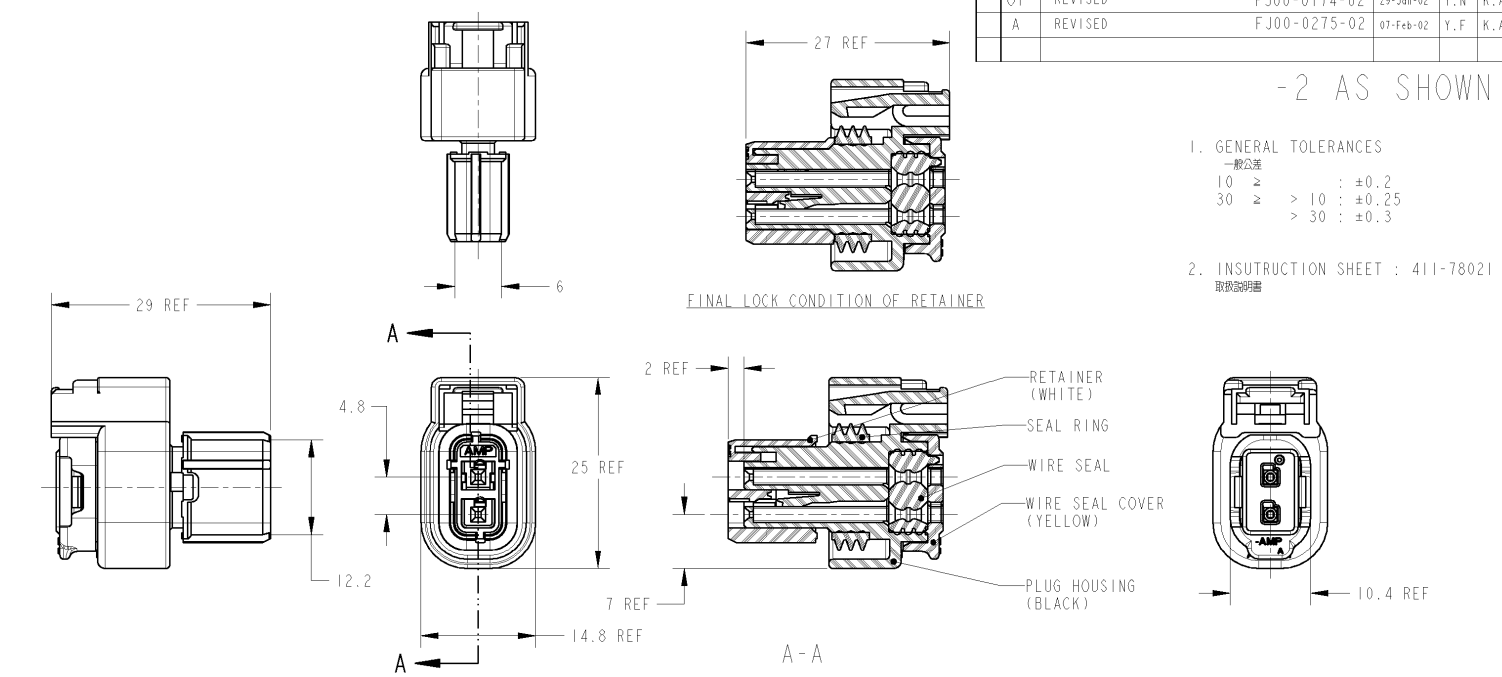
LOC J DIST -

REVISIONS						
P	LTR	DESCRIPTION	ECN	DATE	DWN	APVD
0		RELEASED	FJ00-2574-01	01-Nov-01	Y.F	K.A
01		REVISED	FJ00-0174-02	29-Jan-02	Y.N	K.A
A		REVISED	FJ00-0275-02	07-Feb-02	Y.F	K.A

-2 AS SHOWN

1. GENERAL TOLERANCES  
 一般公差  
 10 ≥ : ±0.2  
 30 ≥ > 10 : ±0.25  
 > 30 : ±0.3
2. INSUTRUCTION SHEET : 411-78021  
 取扱説明書

FINAL LOCK CONDITION OF RETAINER



DIMENSIONS: 単位: mm		TOLERANCES UNLESS OTHERWISE SPECIFIED:	
0-PLC	±	0-PLC	±
1-PLC	±0.5	0-PLC	±0.15
2-PLC	±0.15	1-PLC	±0.015
3-PLC	±0.005	4-PLC	±0.005
4-PLC	±0.005	ANGLES	±5'00"
FINISH		BLACK	

WIRE RANGE ワイヤ電線径仕様	0.3~0.5 SQ	INSULATION DIA 絶縁径仕様	1.4~1.7 DIA
DWN	Y. FUJIWARA	01NOV01	
CHK	Y. NOGUCHI	01NOV01	
APVD	K. ASAI	01NOV01	
PRODUCT SPEC 仕様書	108-5763	APPLICATION SPEC 仕様書	114-5278
SIZE	A3	CAGE CODE	00779
DRAWING NO 図番	G-1473845		RESTRICTED TO
NAME 名称	PLUG HOUSING ASSY 2 POS (A) CLEAN BODY 025 CONNECTOR		
MATERIAL 材質	PBT		WEIGHT 重量
CUSTOMER DRAWING		SCALE 寸法	2.1
		SHEET	OF
		REV	A

AMP 1470-19 REV 31MAR2000

Printed ENGINEER DRAWING