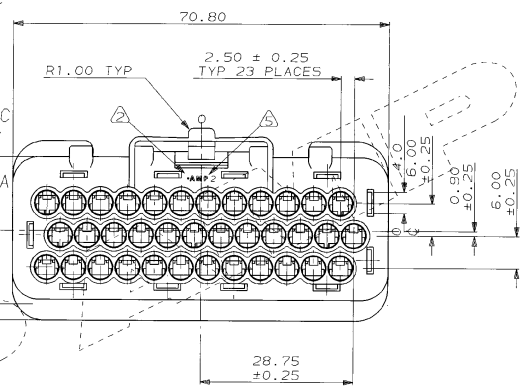
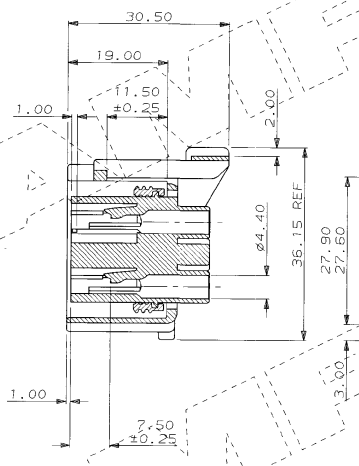
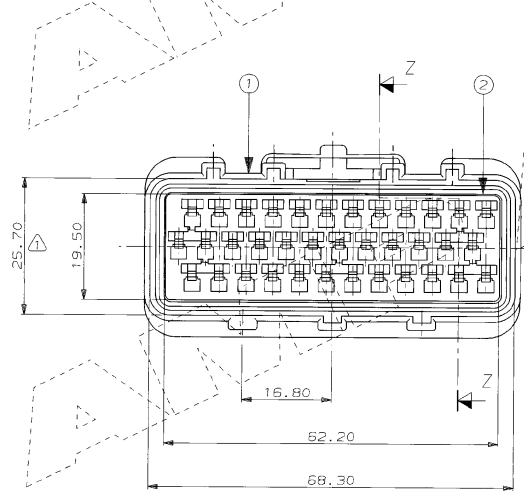
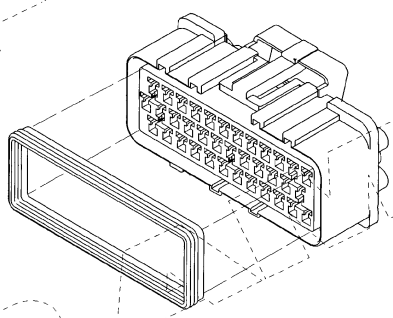
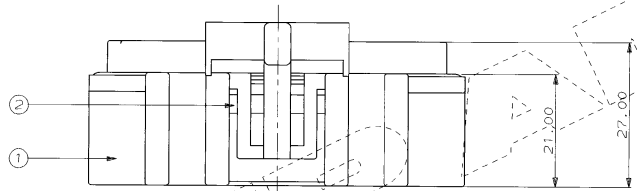


C.A.D. FILE CODE
S.C346189.B

DO NOT SCALE DIMENSIONS IN MM.



NOTES:
1. THIS DIM. TO APPLY AT THE CORNERS OF THE SHROUD. AT THE POINT OF MAXIMUM BOW, THIS DIM. IS TO BE 23.60 MIN. THIS IS A CONTROL DIM. MONITORED AT AMP.
2. AMP STAMP, DOT CODE & IMPRESSION NUMBER

ITEM NO.	MATERIAL	DESCRIPTION	QTY. PER ASSY.	ASSEMBLY PART NO.
2	SILICONE RUBBER	PERIPHERAL SEAL	1	346189
1	NYLON 66	36 WAY REC. HSG.	1	

CUSTOMER DWG FOR REFERENCE ONLY		COPYRIGHT 1987 BY AMP OF GREAT BRITAIN LTD. ALL INTERNATIONAL RIGHTS RESERVED. ALL PRODUCTS MAY BE COVERED BY BRITISH AND FOREIGN PATENTS AND/OR PATENTS PENDING.		RELEASED FOR PUBLICATION 23-5-97	
BLACK	RED	TOLERANCES UNLESS OTHERWISE STATED: DEC ± 0.5 ANGLES ± 1°	DR. M. COLLINS	26/6/91	
			CH. R. J. S.	APP. J. PALMER	
			AMP of Great Britain Ltd.		TERMINAL HOUSE STANNORS MIDDX.
			NAME 36 WAY RECEPTACLE HOUSING ASSY.		
			FOR ECONOSEAL 3 (WIRE TO BOARD)		
			SCALE: 1:1	SIZE: E A2	DWG. NO. C346189
			REV. APPROVED ECN	DATE	REV. SHEET B 1/1

FORM 1 22/05/85