

4

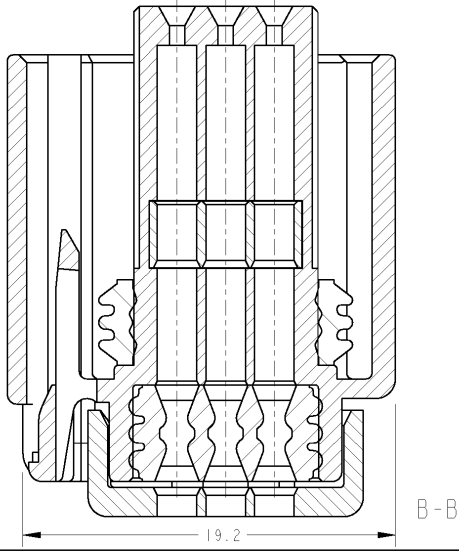
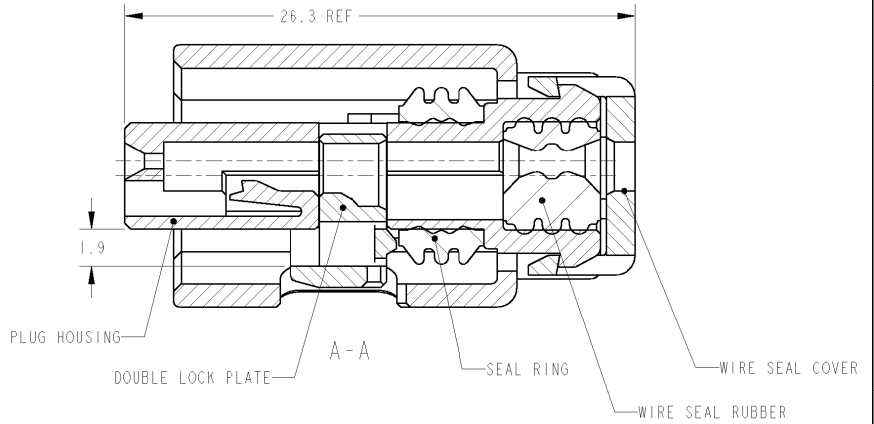
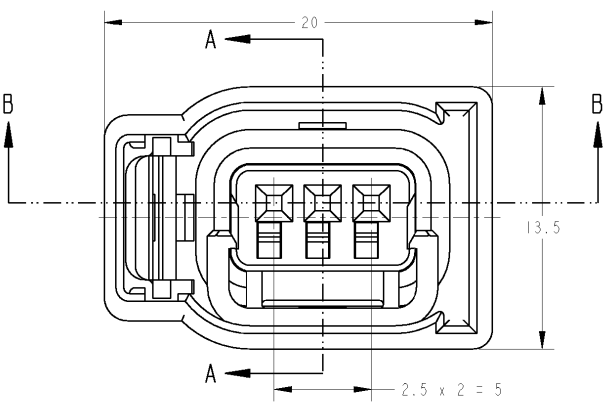
3

2

1

THIS DRAWING IS UNPUBLISHED. RELEASED FOR PUBLICATION .19
 © COPYRIGHT 19 BY AMP INCORPORATED. ALL RIGHTS RESERVED.

| LOC | DIST | REVISIONS | | | | | | |
|-----|------|-----------|-----|-------------|--------------|---------|-----|------|
| J | - | P | LTR | DESCRIPTION | ECN | DATE | DWN | APVD |
| | | 0 | | RELEASED | FJ00-1304-00 | 21NOV00 | K.S | K.A |



1. 相手ハウジングと支障なく嵌合できること。
 嵌合相手型番 ; 1318540
 2. 適用端子型番 ; 1318329
1. MATING WITH CAP HOUSING SMOOTHLY.
 CAP HOUSING PART NUMBER ; 1318540
 2. APPLICABLE CONTACT PART NUMBER ; 1318329

| | |
|-------|-------------|
| BLACK | 1318670-2 |
| COLOR | PART NUMBER |

| | | | | | |
|--|--|---|--|---|--|
| <small>THIS DRAWING IS A CONTROLLED DOCUMENT FOR AMP INCORPORATED. IT IS SUBJECT TO CHANGE AND THE CONTROLLING ENGINEERING ORGANIZATION SHOULD BE CONTACTED FOR THE LATEST REVISION.</small> | | DWN K. SHIGA 21NOV00 CHK Y. FUJIWARA 21NOV00 JPVD K. ASAI 21NOV00 | | AMP Tyco Electronics AMP K.K. Kawasaki, Japan | |
| DIMENSIONS: 単位: ㎜ | | TOLERANCES UNLESS OTHERWISE SPECIFIED: 一般公差 ± 0.5 0-PLC ± 0.1 1-PLC ± 0.1 2-PLC ± 0.01 3-PLC ± 0.001 4-PLC ± 0.001 ANGLES ± 0.5° FINISH ± 0.1 | | NAME 025 SEALED T.P.S CONNECTOR 名称 PLUG HOUSING ASSEMBLY 3POSITION | |
| MATERIAL PBT | | PRODUCT SPEC 108-5691 APPLICATION SPEC 114-5278 WEIGHT 4.2g | | SIZE A3 CAGE CODE 00779 DRAWING NO. 1318670 | |
| CUSTOMER DRAWING | | SCALE 5:1 SHEET 1 OF 1 | | REV 0 | |

AMP 1470-19 REV 09MAT94
 Prol ENGINEER DRAWING