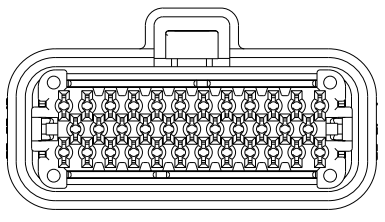
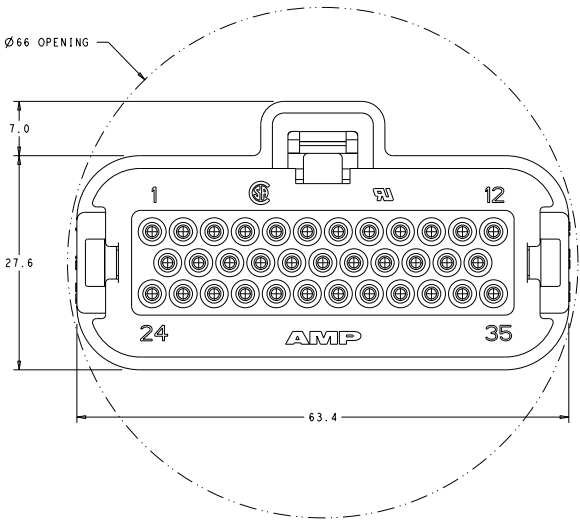
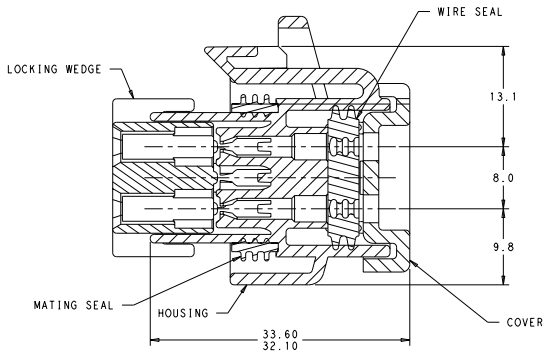


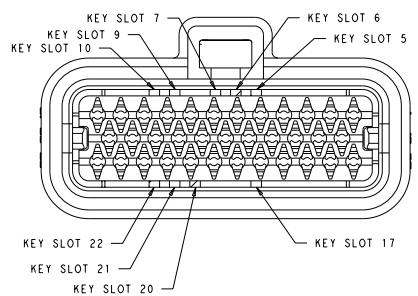
REVISOR		REVISIONS	
NO.	DATE	DESCRIPTION	BY
1	00	REVISED PER ECO-09-022384	DCS

△ HOUSING COLORS ARE MECHANICALLY KEYED TO MATE WITH IDENTICALLY COLORED HEADER ASSEMBLIES.

ASSEMBLY WILL PASS THRU Ø66 OPENING



BOTTOM VIEW WITH LOCKING WEDGE
SCALE 3:1



KEY SLOT LOCATIONS
SCALE 3:1

7 & 22	776164-6
5, 10 & 22	776164-5
9 & 21	776164-4
7 & 17	776164-2
6 & 20	776164-1
KEY SLOT LOCATION (SEE VIEW ABOVE)	PART NUMBER

GLASS FILLED PBT, BLACK	SILICONE RUBBER, RED	SILICONE RUBBER, RED	PBT, RED	PBT, ORANGE	776164-6
				PBT, BLUE	776164-5
				PBT, GRAY	776164-4
				PBT, NATURAL	776164-2
				PBT, BLACK	776164-1
COVER	WIRE SEAL	MATING SEAL	LOCKING WEDGE	△ HOUSING	PART NUMBER
<p>DATE: 09/22/09 DRAWN BY: J. STRAUSS CHECKED BY: J. STRAUSS APPROVED BY: J. STRAUSS TITLE: PLUG ASSEMBLY, 35 POSITION, AMPSEAL PART NUMBER: 776164 SCALE: 3:1 SHEET: 1 OF 1</p>					