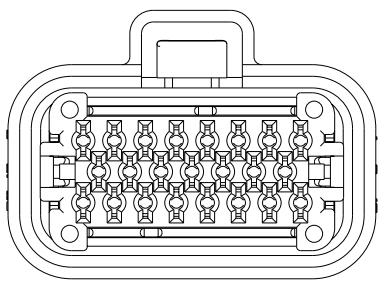
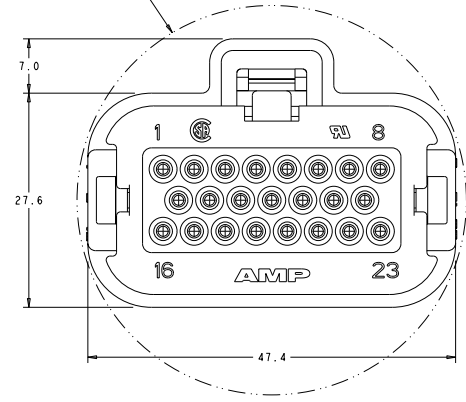
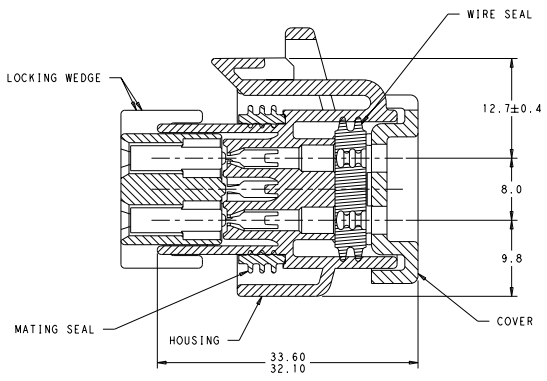


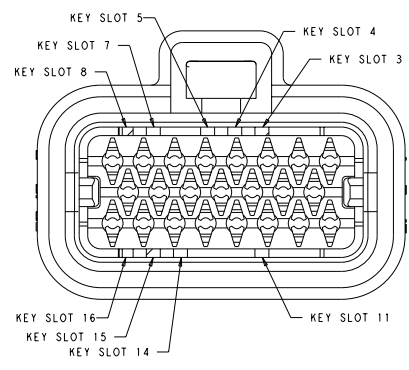
REV	DATE	DESCRIPTION	BY	CHK	APP
J		REVISED PER ECO-09-022386	SMYTH	DCV	DCS
K		REVISED PER ECO-10-005844	SMYTH	DLD	DCS

△ HOUSING COLORS ARE MECHANICALLY KEYPED TO MATE WITH IDENTICALLY COLORED HEADER ASSEMBLIES.
 2. 770680-1 SHOWN

ASSEMBLY WILL PASS THRU Ø50 OPENING



BOTTOM VIEW WITH LOCKING WEDGE



KEY SLOT LOCATIONS

KEY SLOT LOCATION (SEE VIEW ABOVE)	PART NUMBER
3, 8 & 16	770680-5
7 & 15	770680-4
4 & 14	770680-3
5 & 11	770680-2
4 & 14	770680-1

COVER	WIRE SEAL	MATING SEAL	LOCKING WEDGE	HOUSING	CIRCUITS MOLDED CLOSED	PART NUMBER
GLASS FILLED PBT, BLACK	SILICONE RUBBER, RED	SILICONE RUBBER, RED	PBT, RED	PBT, BLUE	NONE	770680-5
				PBT, GRAY	NONE	770680-4
				PBT, BLACK	3, 7, 16, 17, 21, 22	770680-3
				PBT, NATURAL	NONE	770680-2
				PBT, BLACK	NONE	770680-1