

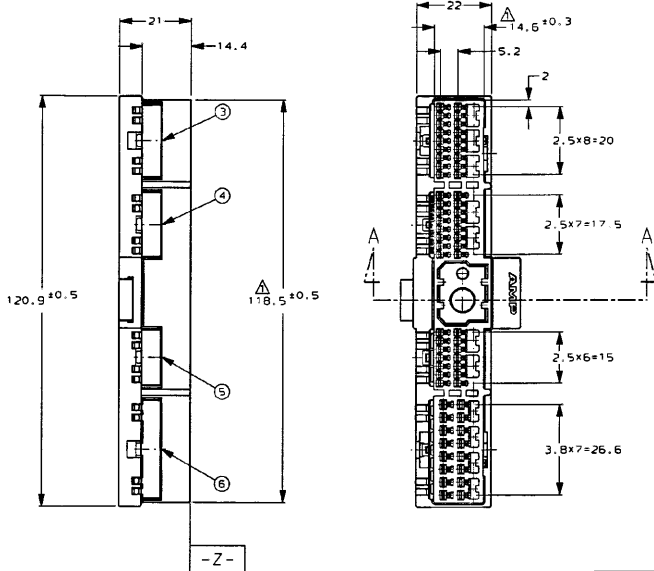
USER7>DEP15200>E2018>UJ1HPAL-UJ.64P>S.C-P

NUMBER 177699
METRIC
3.0mm 1:2.0 ANGLE PROJECTION

PRINT THIS DIMENSIONS IN MM DO NOT SCALE PRINT

PRINT DIST

AMP-2010-2K
3/93

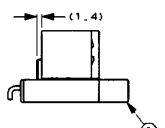
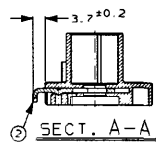


NOTES:

△ THIS DIMENSION TO BE MEASURED BETWEEN $\square Z$ AND 2mm.

注記:

△ $\square Z$ 面より 2mm の範囲で測定.



WHITE	PBT	DBL LOCK PLATE	6
WHITE	PBT	DBL LOCK PLATE	5
WHITE	PBT	DBL LOCK PLATE	4
WHITE	PBT	DBL LOCK PLATE	3
WHITE	STAINLESS STEEL	STOPPER PLATE	2
WHITE	PBT	PLUG HOUSING	1
COLOR	MATERIAL	NAME	No

Copyright © 1993 AMP (Japan), LTD. ALL RIGHTS RESERVED. AMP Tokyo, Japan

D	変更	REVISED FJ00-3709-95	TS	KA	8/25/95	材料 (MATERIAL)	仕上 (FINISH)	公差 (TOLERANCE)	縮尺 (SCALE)	REV.	SHEET
C	変更	REVISED FJ00-3155-95	TS	KA	8/25/95	材料 (MATERIAL)	仕上 (FINISH)	公差 (TOLERANCE)	縮尺 (SCALE)	REV.	SHEET
B	変更	REVISED FJ00-1496-94	TS	KA	9/7/94	材料 (MATERIAL)	仕上 (FINISH)	公差 (TOLERANCE)	縮尺 (SCALE)	REV.	SHEET
A	変更	REVISED FJ00-0968-94	TS	KO	9/7/94	材料 (MATERIAL)	仕上 (FINISH)	公差 (TOLERANCE)	縮尺 (SCALE)	REV.	SHEET
O	仕様	RELEASED FJ00-0324-94	TS	SA	3/7/94	材料 (MATERIAL)	仕上 (FINISH)	公差 (TOLERANCE)	縮尺 (SCALE)	REV.	SHEET
LTR	変更	(REVISION RECORD)	DR	CHE	DATE	DR	DATE	DR	DATE	REV.	SHEET

(CUSTOMER DRAWING) 参考 177699 1 OF 1