

4

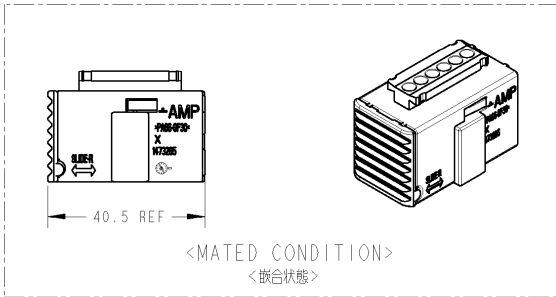
3

2

1

THIS DRAWING IS UNPUBLISHED. RELEASED FOR PUBLICATION
 © COPYRIGHT 20 BY TYCO ELECTRONICS CORPORATION. ALL RIGHTS RESERVED.

LOC	DIST	REVISIONS					
P	LTR	DESCRIPTION	ECN	DATE	DWN	APVD	
0		RELEASED	FJ00-0921-01	15MAY01	ES	NS	
A		ADDED ITEM -2	FJ00-1288-01	12JUN01	ES	NS	
B		CORRECTED PACKING STYLE	FJ00-1706-01	30JUL01	ES	NS	



1. APPLICABLE SECONDARY LOCKING DEVICE : P/N X-1473288-X
2. APPLICABLE CONTACT : P/N 9637111-2 (LOOSE PIECE)
: P/N 962876-2 (STRIP FORM)
3. MARKING TO IDENTIFY THE DIRECTION OF SLIDE

1. 適用 セカンドロックデバイス : 型番 X-1473288-X
2. 適用 端子 : 型番 9637111-2(バラ端子)
: 型番 962876-2(リール端子)
3. スライド方向識別マーク

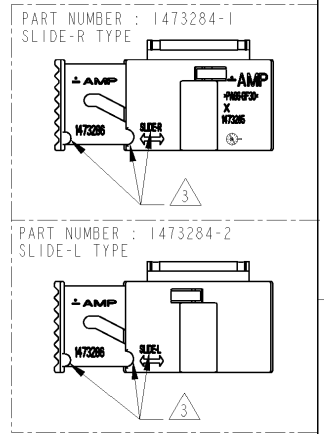
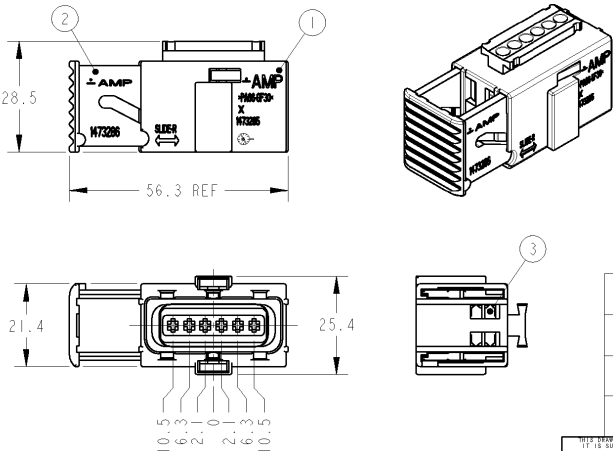


FIG.1



PAPER BOX ダンボール	PAPER BOX ダンボール	RED 赤	RED 赤	BLACK 黒	SLIDE-L TYPE (SEE FIG.1)	1473284-2
PAPER BOX ダンボール	PAPER BOX ダンボール	RED 赤	RED 赤	BLACK 黒	SLIDE-R TYPE (SEE FIG.1)	1473284-1
OUTER 外表	INNER 内表	③ SEALING シーリング	② SLIDER スライダ	① HOUSING ハウジング	DIRECTION OF SLIDER スライダー方向	PART NUMBER 型番
PACKING STYLE 梱包形態		COLOR 色				

DIMENSIONS: 単位: ㎜		TOLERANCES UNLESS OTHERWISE SPECIFIED: ALL : ±0.5		DWN E. SASAKI	14MAY01	Tyco Electronics AMP K.K. Kawasaki, Japan
0-PLC ±		1-PLC ±0.5		CHK T. KOHNO	14MAY01	
2-PLC ±0.13		3-PLC ±0.013		APVD N. SAI	15MAY01	
4-PLC ±0.0001		ANGLES ±5.00°		PRODUCT SPEC 108-5757	NAME HOUSING ASSEMBLY	RESTRICTED TO
FINISH SEE TABLE		MATERIAL PA66		APPLICATION SPEC 114-18081	SIZE CAGE CODE DRAWING NO A3 00779 G-1473284	
CUSTOMER DRAWING				WEIGHT 16 g	SCALE 1:1	SHEET OF REV 0

AMP 1470-19 REV 31MAR2000

Prod/ENGINEER DRAWING