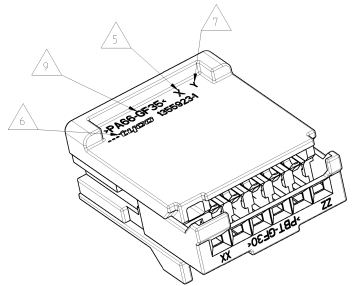
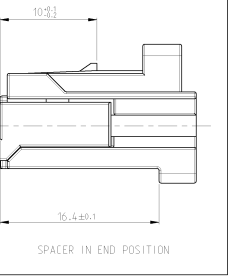
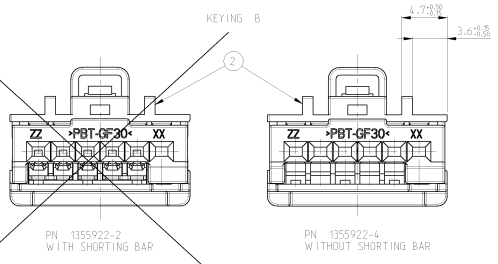
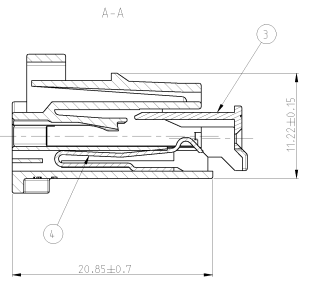
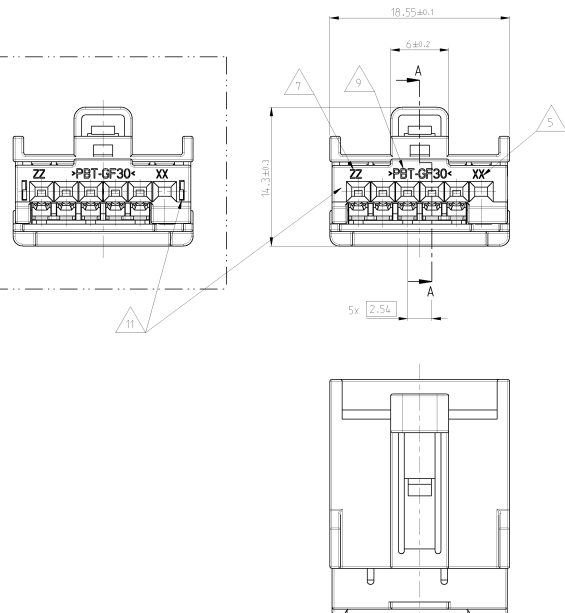
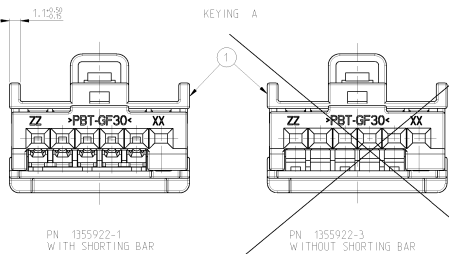


REV. LIST		DATE	INITIALS	APPROVED
T	1			
E	2			
F	3			

KEYINGS



- NOTES**
 Deutschungen
- INTERFACE DRAWING: 16-0454
Schnittzeichnungs-Nr. 16-0454
 - REPLACEMENT PART NUMBER: 0-199180-1 TYP. 0-22-0-08mm
0-199180-1 TYP. 0-22-0-10mm
0-199180-1 TYP. 0-22-0-12mm
0-199180-1 TYP. 0-22-0-15mm
 - COMPATIBLE WIRE SPECIFICATIONS: W55-HL195-A1 & A2 (CAGE)
W55-HL195-A1 & A2 (MIL-STD)
W55-HL195-A1 (CAGE)
W55-HL195-A1 (MIL-STD)
 - SPACER SHIPPED IN ITS PRE-ASSEMBLED STATE in forward-position marked
 - PRODUCT REVISION LEVEL HOUSING
Nette Revision Nr. 50
 - TYCO LERO
TYP. 50
 - T = TOOL NUMBER (OPTIONAL), ZZ = CAVITY NUMBER
P = PART NUMBER (OPTIONAL), ZZ = MATERIAL
 - TERMINAL CAVITY IDENTIFICATION NUMBER
Kern- & Kavitäts-Nummern
 - MATERIAL IDENTIFICATION
Materialkennzeichnung
 - PACKAGING
10 = BAGS PER TRAY
8 = TRAY PER SHORTING CONTAINER
SPACER DESIGN OPTIONAL
Sonderausführung verfügbar

TYCO ORDER NUMBER	1355922-1	1355922-2	1355922-3	1355922-4
REV.	E	B	A	F
	1	1	1	1
	1	1	1	1
	1	1	1	1
	1	1	1	1

TYCO PART NUMBER	1355922-1	1355922-2	1355922-3	1355922-4
DESCRIPTION	SHORTING BAR	SPACER	FEMALE HOUSING, 6POS. B	FEMALE HOUSING, 6POS. A
END USE	Sn	RED	BLACK	YELLOW
COLOR				
FINISH				
MATERIAL				
ITEM				