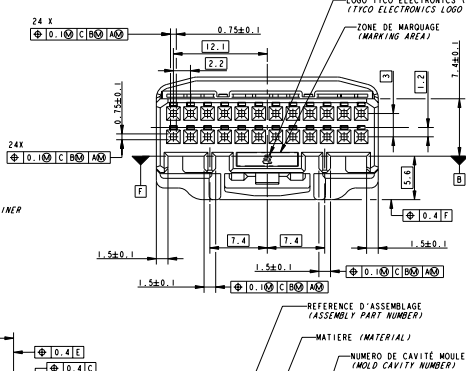
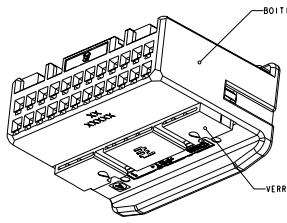
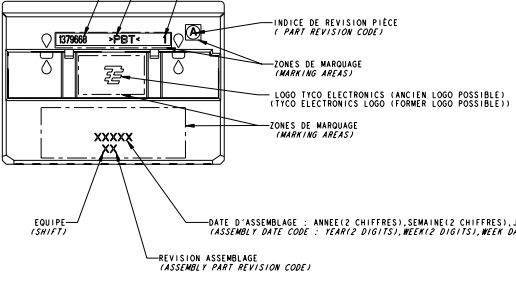
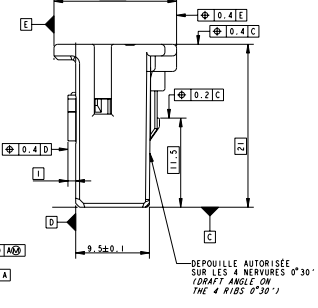
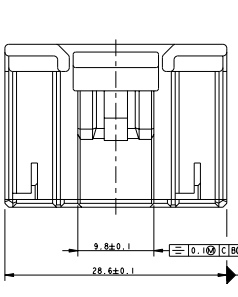


REV	REVISIONS	
	NO	DESCRIPTION
1	00	CHANGE DIMENSION CODE FOR CODING
2		
3		
4		
5		

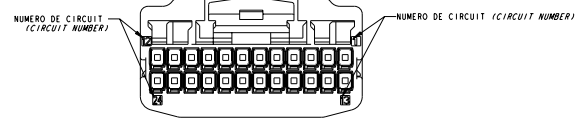
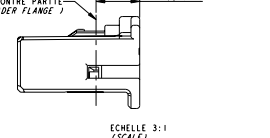


NOTES: LES NOTES LOCALES SONT ENTRE <->
 SPECIFICATIONS DE REFERENCE:
 2 SPECIFICATION TE : 108-15299
 4 PLAN D'INTERFACE TE : 1379778
 NOTES COMPLEMENTAIRES
 12 CAHIER DE PRECONISATION : 411-15672
 13 REFERENCE REPRESENTEE : 1379668-1
 14 VERROU SECONDAIRE PREFERENTIELLE DE LIVRAISON. SI LE VERROU N'EST PAS DANS CETTE POSITION, SUIVRE LES INSTRUCTIONS DE LA NOTICE TECHNIQUE TE 411-15672 88.2 POUR INFORMATION

APPLICABLE SPECIFICATION:
 TE SPECIFICATION (SEE BEFORE)
 TE INTERFACE DRAWING (SEE BEFORE)
 ADDITIONAL NOTES:
 INSTRUCTION SHEET : (SEE BEFORE)
 PART NUMBER SHOWN (SEE BEFORE)
 SECONDARY LOCK IN PREFERRED DELIVERY POSITION. IF SECONDARY LOCKING IS NOT IN THIS POSITION, FOLLOW INSTRUCTIONS OF TE SPECIFICATION 411-15672 88.2 FOR REFERENCE ONLY.



CETTE LIGNE REPRESENTE LE HAUT DE LA CONTRE PARTIE
 (THIS LINE REPRESENTS THE HEADER FLANGE)



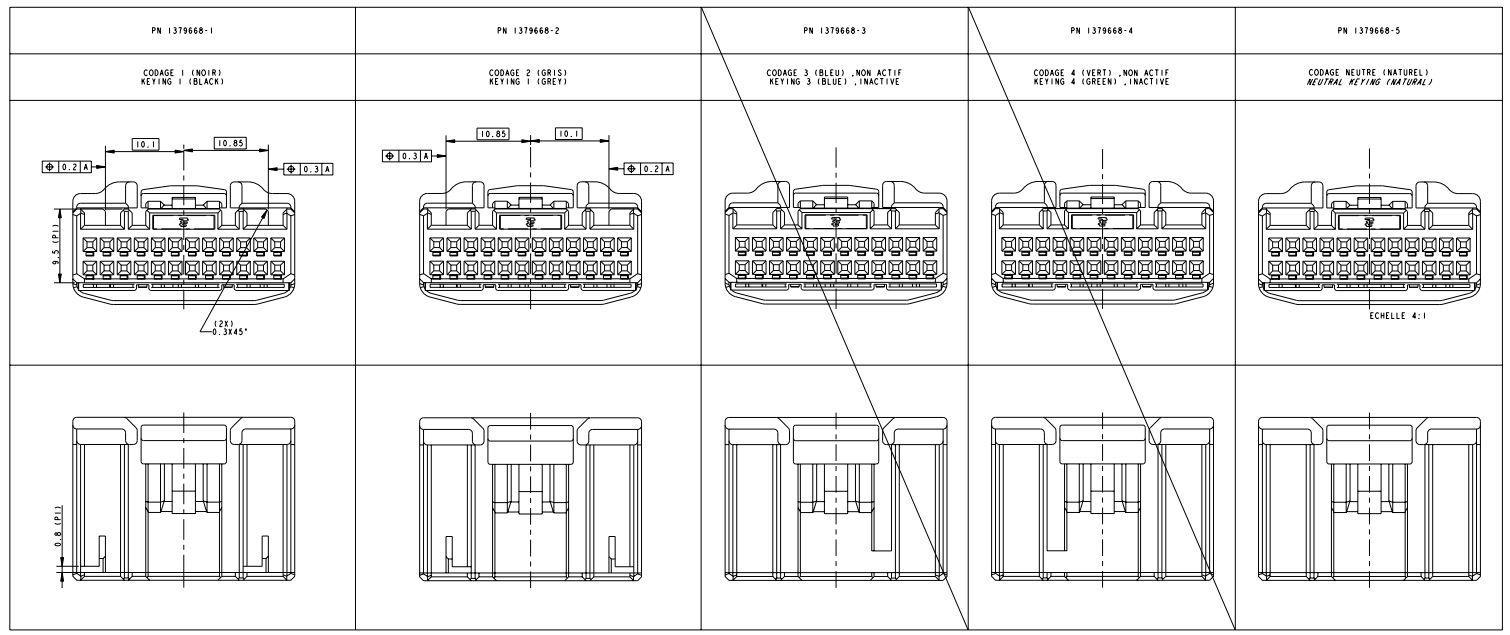
CONTACTS ASSOCIES LISTE NON EXHAUSTIVE
 (APPLIED CONTACTS NON EXHAUSTIVE LIST)

REF TE (TE PN)	FINITION (FINISH)	DESIGNATION (DESIGNATION)
112343-2	DORE (0.38µm) / GOLDDED (0.38µm)	CLIP .635 (1.635 CONTACT) 0.35 A 0.5 MM? (SGMM)
1801059-2	DORE (0.8µm) / GOLDDED (0.8µm)	CLIP .635 (1.635 CONTACT) 0.35 A 0.5 MM? (SGMM)
1674298-1	ETAME (TINNED)	CLIP .635 (1.635 CONTACT) 0.35 A 0.5 MM? (SGMM)

REF TE / TE PN	DESCRIPTION / DESCRIPTION	CODAGE / KEYING	MATIERE BOITIER - MATIERE VERRU SECONDAIRE / HOUSING MATERIAL - RETAINER MATERIAL	COLOR BOITIER - COLOR VERRU SECONDAIRE / HOUSING COLOR - RETAINER COLOR	REVISION ASSEMBLAGE / ASSEMBLY PART REVISION CODE
1379668-5	CONNECTEUR 24 VOIES / 24 WAYS CONNECTOR	NEUTRE / NEUTRAL	PBT-PBT / PBT-PBT	NATUREL-NATUREL / NATURAL-NATURAL	D
1379668-2	CONNECTEUR 24 VOIES / 24 WAYS CONNECTOR	21 2	PBT-PBT / PBT-PBT	GRIS-NATUREL / GREY-NATURAL	D
1379668-1	CONNECTEUR 24 VOIES / 24 WAYS CONNECTOR	11 1	PBT-PBT / PBT-PBT	NOIR-NATUREL / BLACK-NATURAL	D

410CT2002 410CT2002 025 TH 24 POS PLUG HOUSING 00778 ©1379668	TYCO ELECTRONICS France SAS BP 39, 93881 GENNE-PONTOISE Cedex 025 TH 24 POS PLUG HOUSING 00778 ©1379668	DATE: 1998-12-08 DRAFTER: JPLAN CHECKED: JPLAN 1/1
---	---	---

REVIS		REVISIONS	
NO	DATE	DESCRIPTION	BY
F	00	SEE SHEET 1	



025 TH 24 POS PLUG HOUSING	00778 1379668	1379668-1 1379668-2 1379668-3 1379668-4 1379668-5	1379668-1 1379668-2 1379668-3 1379668-4 1379668-5
-------------------------------	------------------	---	---